



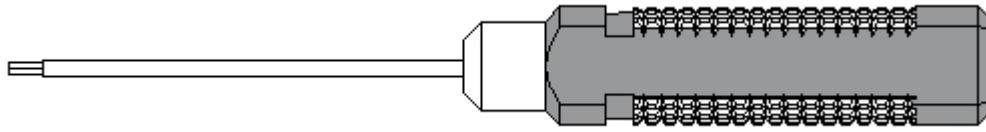
GELANDE II

TRUCK KIT WITH CRUISER BODY SET

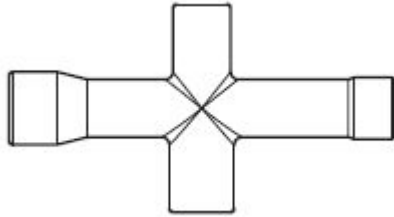




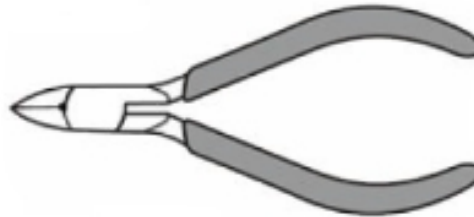
Recommended Tools



Hex Drivers (1.5mm, 2mm, 2.5mm)



Cross Wrench



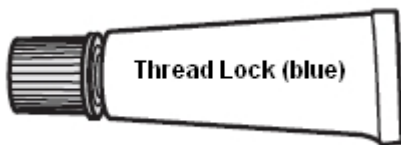
Side Cutter Pliers



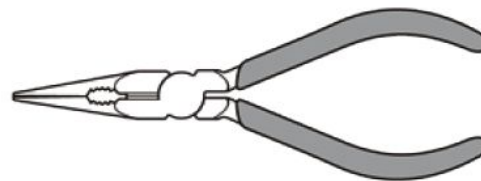
Modeling/Craft knife



Plastic cement/glue
(non-whitening CA glue)



Thread Lock



Long Nose Pliers

Tips for Assembly

Use a good quality hex drivers to avoid stripping screw heads.

Use thread lock when putting metal screws into metal parts.

Use thread lock sparingly.





Do not over tighten screws otherwise you may strip the thread.







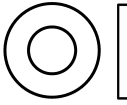
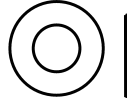
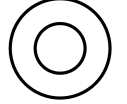
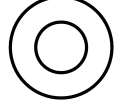
RC4WD Limited Warranty

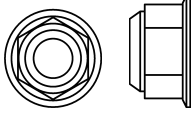
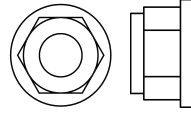
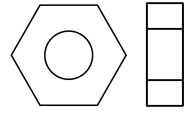
All RC4WD products are warranted to be free of defects in materials and workmanship when new. Our limited warranty does not cover damages due to normal wear and tear, user error of assembly or installation, user modifications, user's failure to perform routine maintenance, addition of aftermarket parts or option parts. This warranty lasts 30 days after arrival for original purchaser. In the event of a defect under this warranty, RC4WD will, at our discretion, replace the product, provided our inspection indicates that an original defect exists. RC4WD reserves the right to replace any product which is no longer available with a product of comparable value and function. If RC4WD determines the repair is not covered under warranty guidelines, we will contact you to discuss your options. If you have any questions, please contact us via email at support@rc4wd.com.











Countersunk Flat Head Screw			
Z-S0648		M3X6	2X
Z-S0649		M3X8	7X
Z-S0860		M3X10	4X
Z-S0746		M3X14	6X









Set Screw			
Z-S0125		M3X5	2X
Z-S0308		M3X10	6X
Z-S0650		M3X15	14X
Z-S0804		M3 Driveshaft Screw Pin	4X

Spacer			
Z-S0809		1mm	2X
Z-S0600		2mm	2X
Z-S0806		3mm	4X
Z-S0821		5mm	1X

Nut			
Z-S0629		M3	5X
Z-S1265		M4	4X
Z-S0303		M2.5	20X

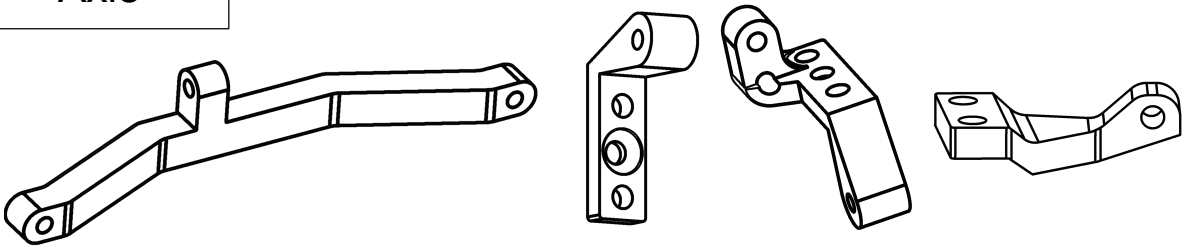


Button Head Screw			
Z-S0764		M2.5X6	4X
Z-S0651		M3X6	16X
Z-S0652		M3X8	19X
Z-S0653		M3X10	41X
Z-S0654		M3X12	17X
Z-S0655		M3X14	10X
Z-S0656		M3X16	5X
Z-S0895		M3X20	2X

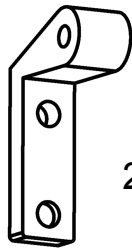
Cap Head Screw			
Z-S1253		M1.6X5	14X
Z-S1255		M1.6X8	4X
Z-S1175		M1.6X10	4X
Z-S0593		M2X12	6X
Z-S0855		M2.5X6	4X
Z-S0829		M2.5X8	20X
Z-S1380		M2.5X12	2X
Z-S0739		M3X25	1X



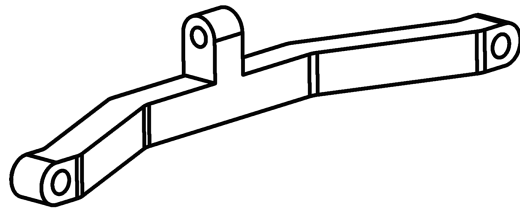
Axle



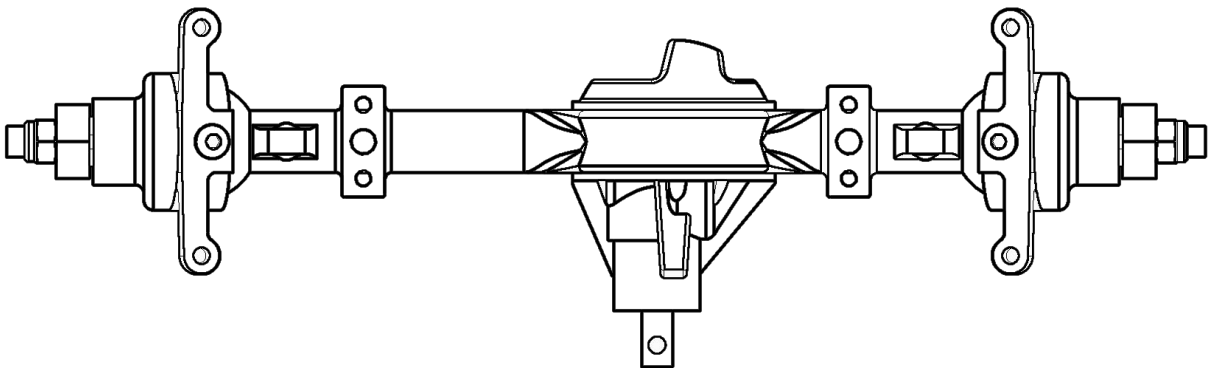
Z-S0794



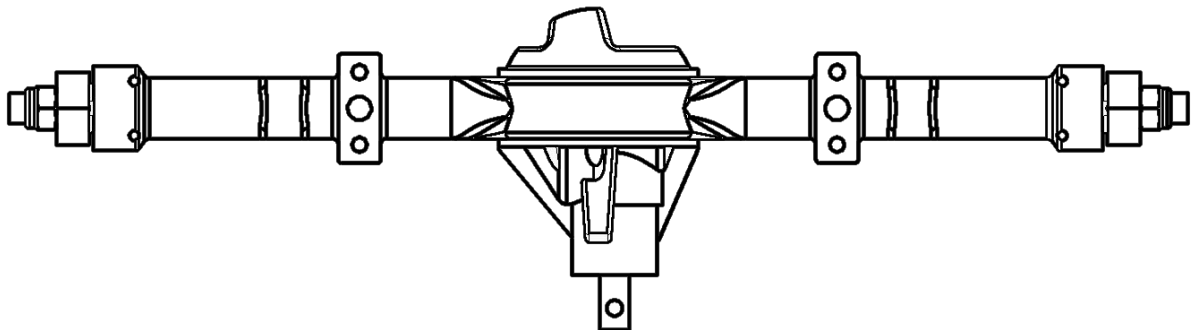
2X



Z-S0795



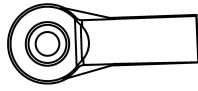
Z-A0080



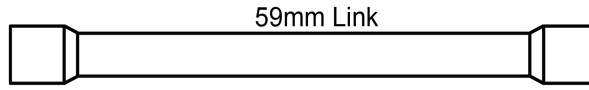
Z-A0081



Connecting Rods

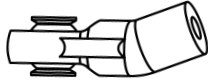


Z-S0399 10X

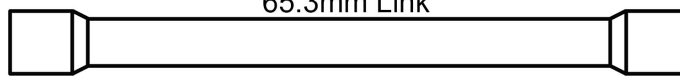


59mm Link

Z-S0807

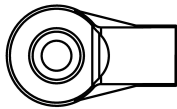


Z-S0402 4X

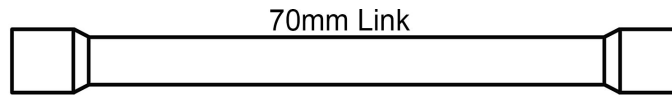


65.3mm Link

Z-S0817 2X

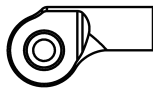


Z-S0398 4X

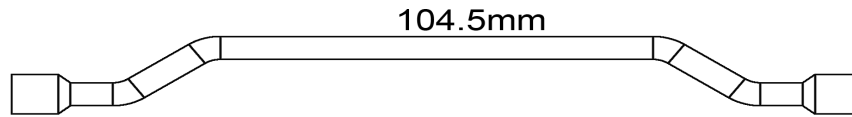


70mm Link

Z-S0819 2X

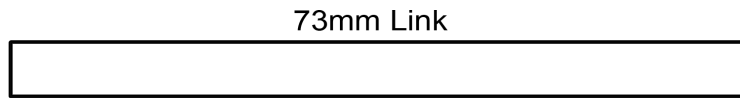


Z-S0401 2X



104.5mm

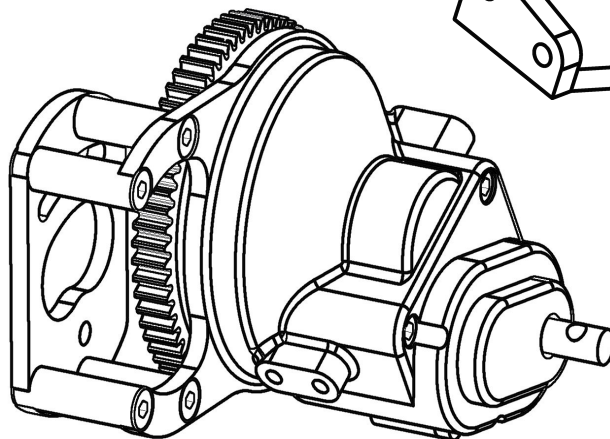
Z-S0810



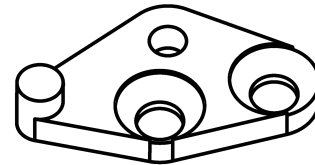
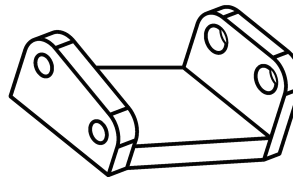
73mm Link

Z-S0805 4X

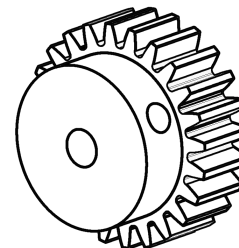
Transmission



Z-U0028



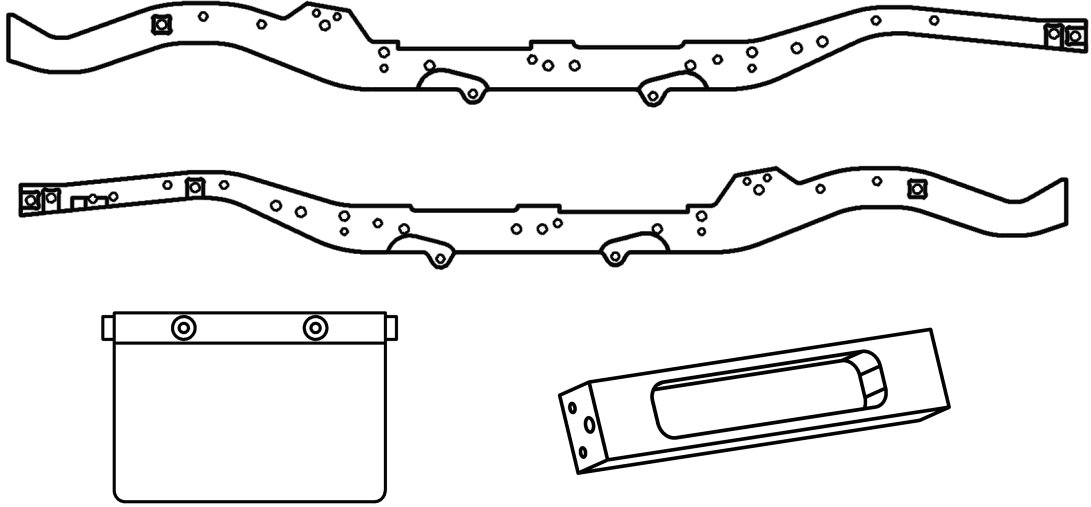
Z-S0802



Z-S0430

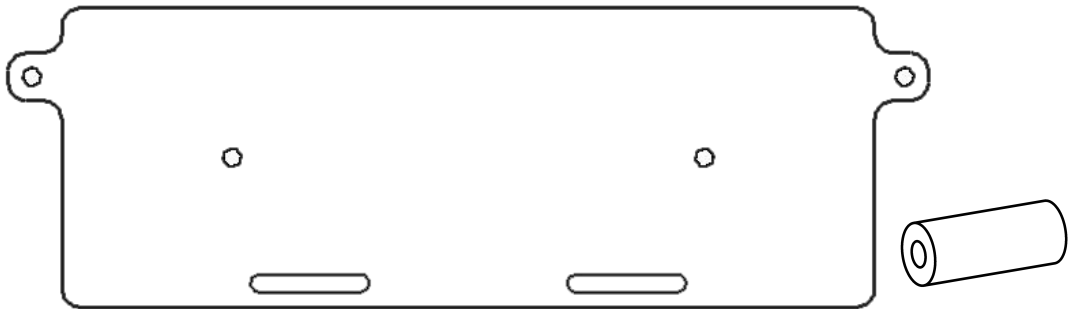


Chassis



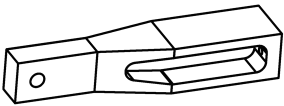
Z-C0040

Accessories

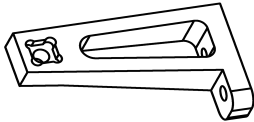


2X

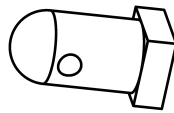
Z-S0792



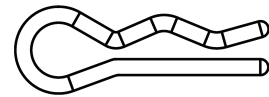
2X



2X



2X

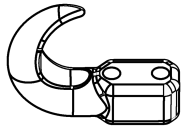


Z-B0016 4X

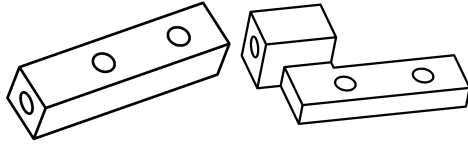
Z-S1379



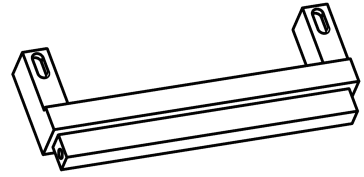
Accessories



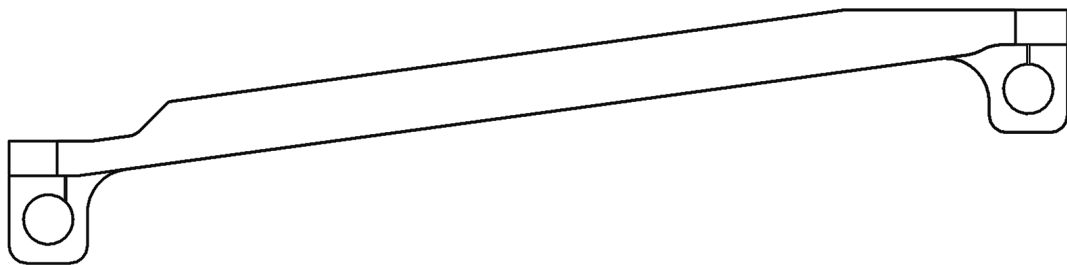
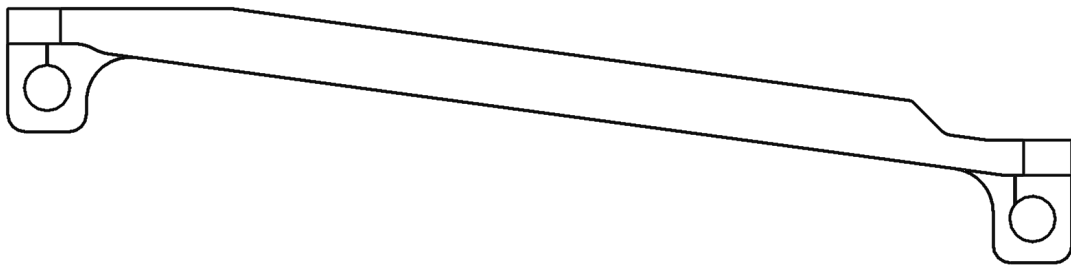
Z-S0042 2X



Z--S0791



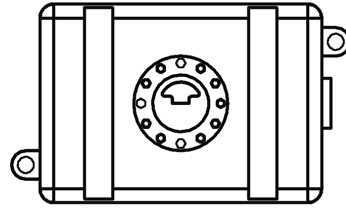
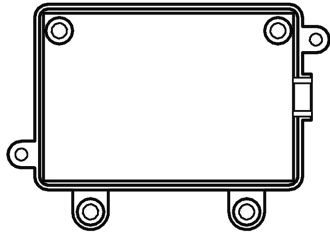
Z-S1381



Z-S1383

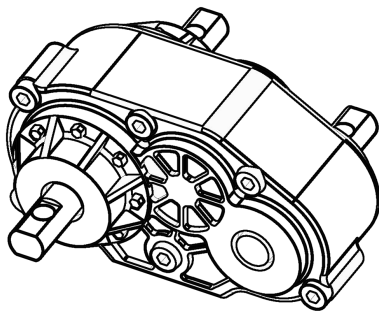


Accessories

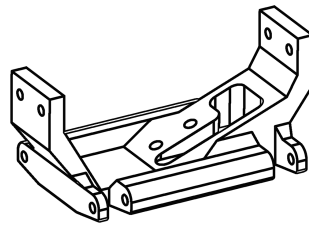


Z-S0592

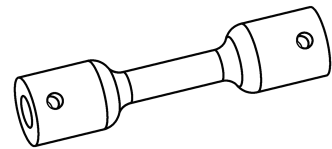
Transfer Case



Z-U0024

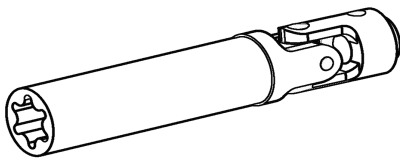


Z-U0027



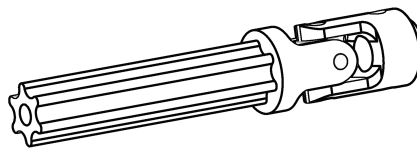
Z-S0803

Driveshafts

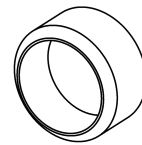


2X

Z-S0583

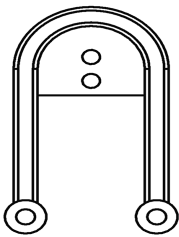


2X

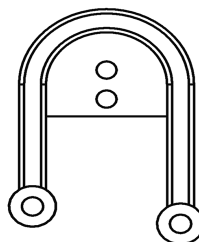


Z-S0443 4X

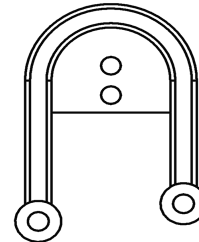
Shock hoop



Z-S0798 2X

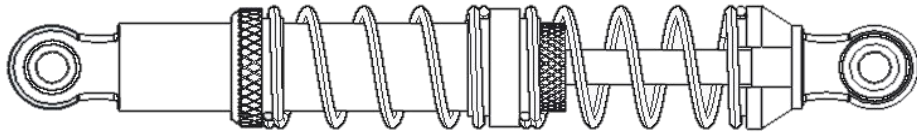


Z-S0799



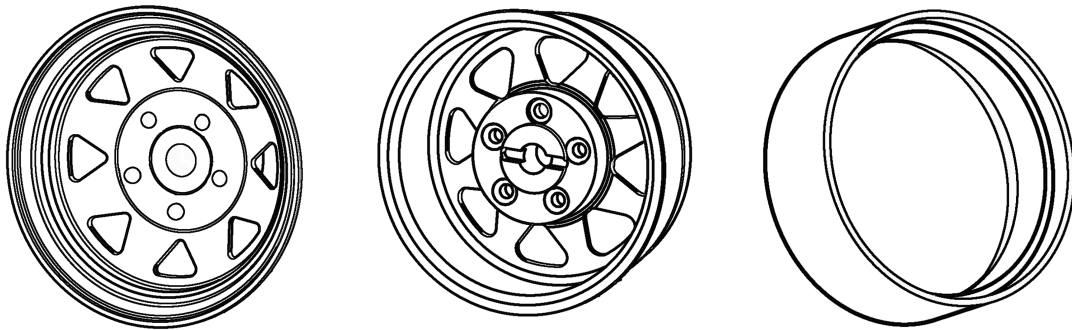


Shock



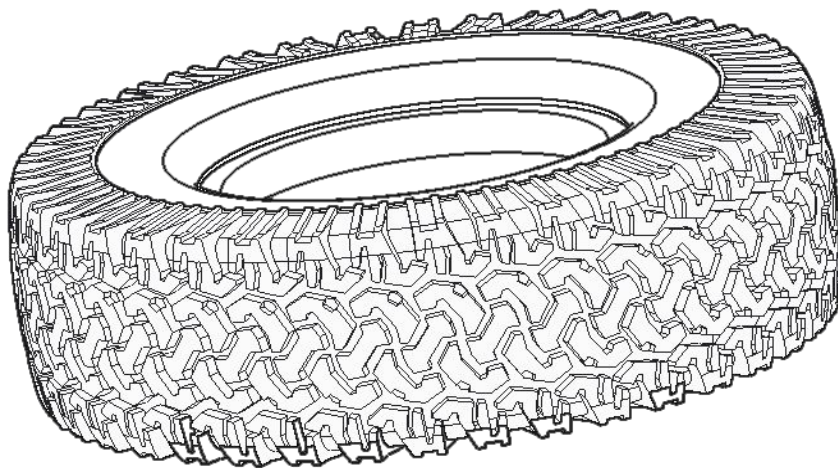
Z-D0039 4X

Wheel



Z-W0129

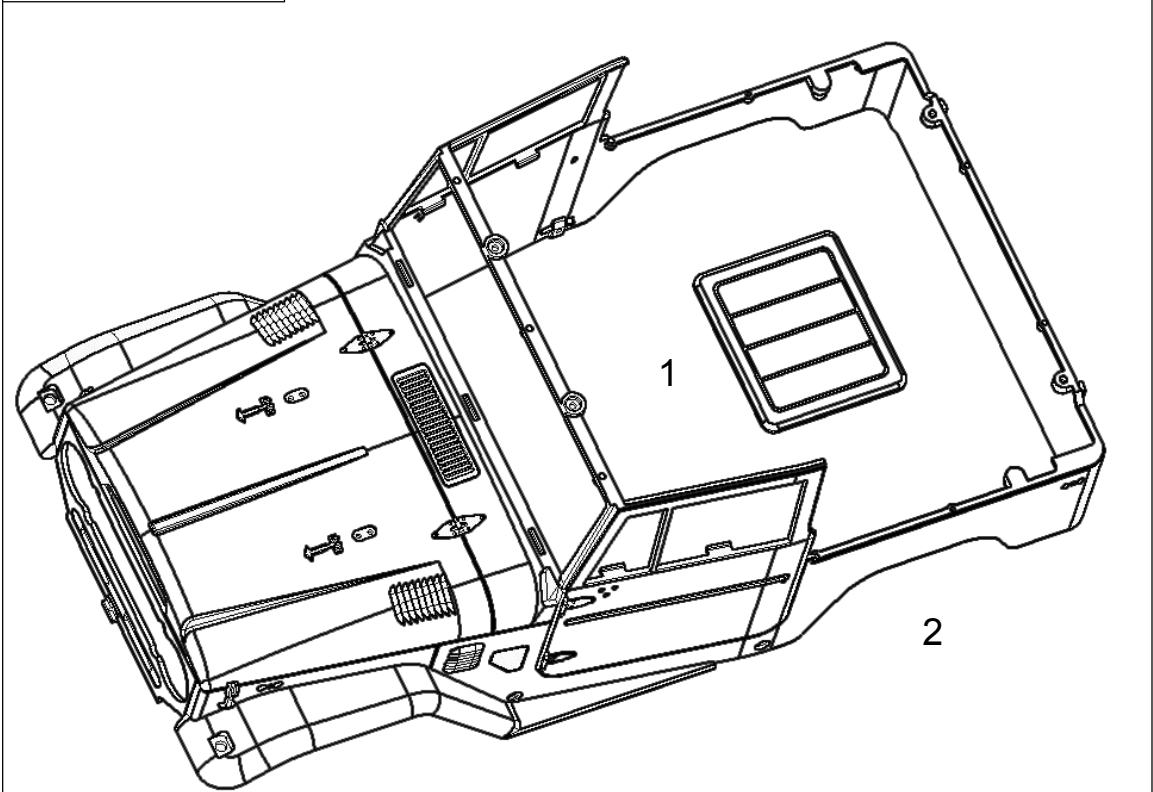
Tire



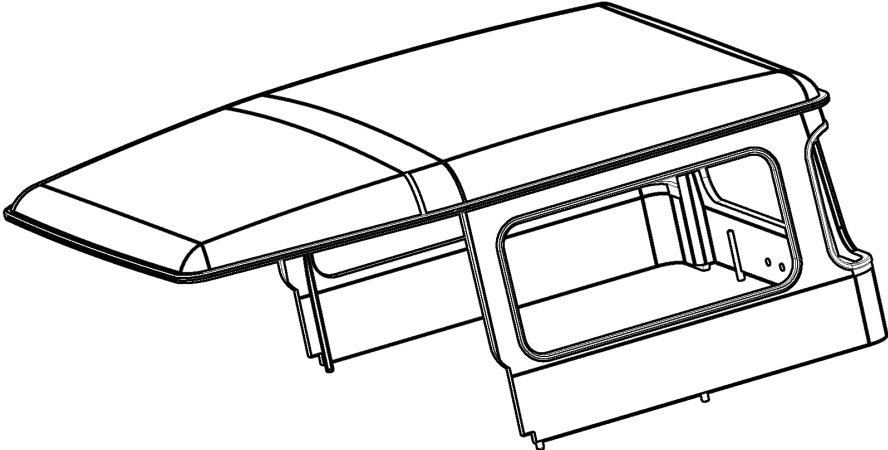
Z-T0005 4X



Body



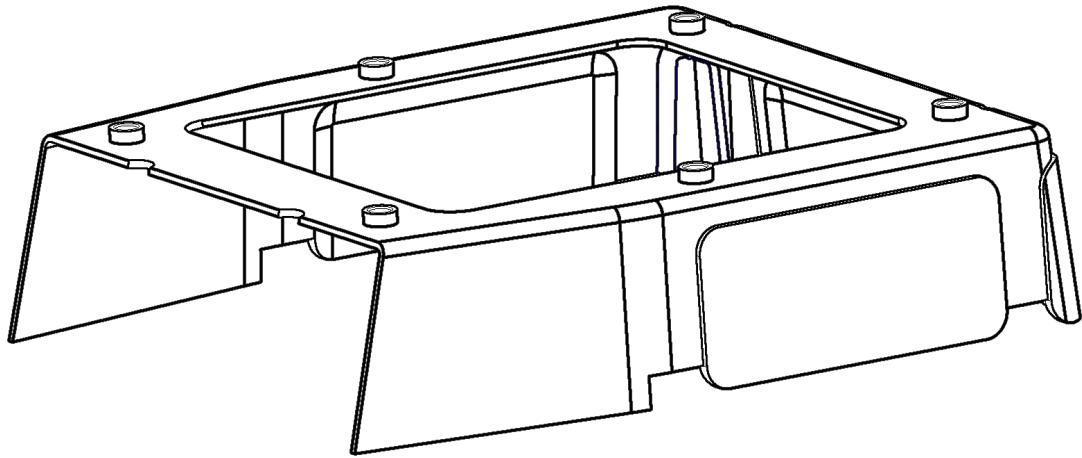
Z-B0061



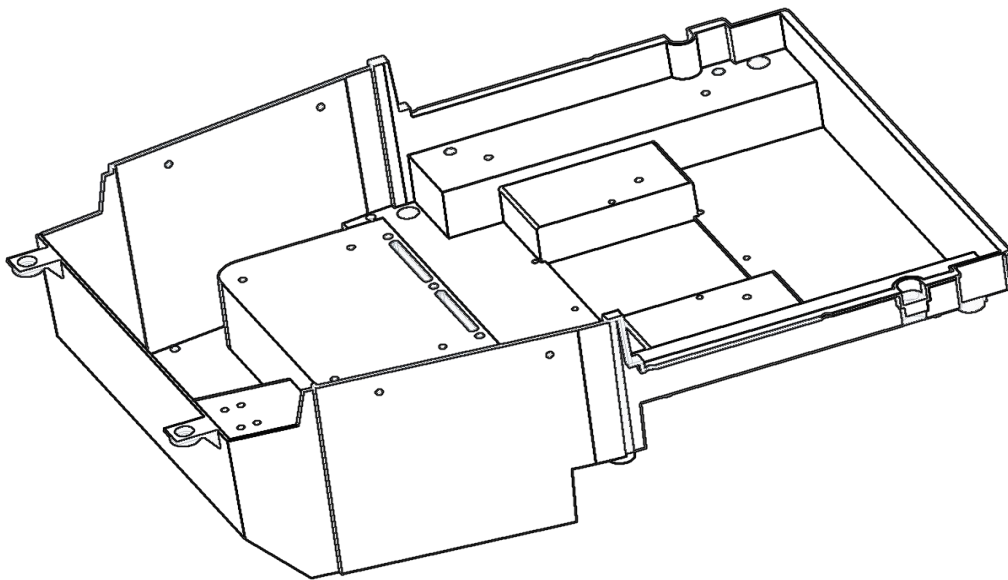
Z-B0065



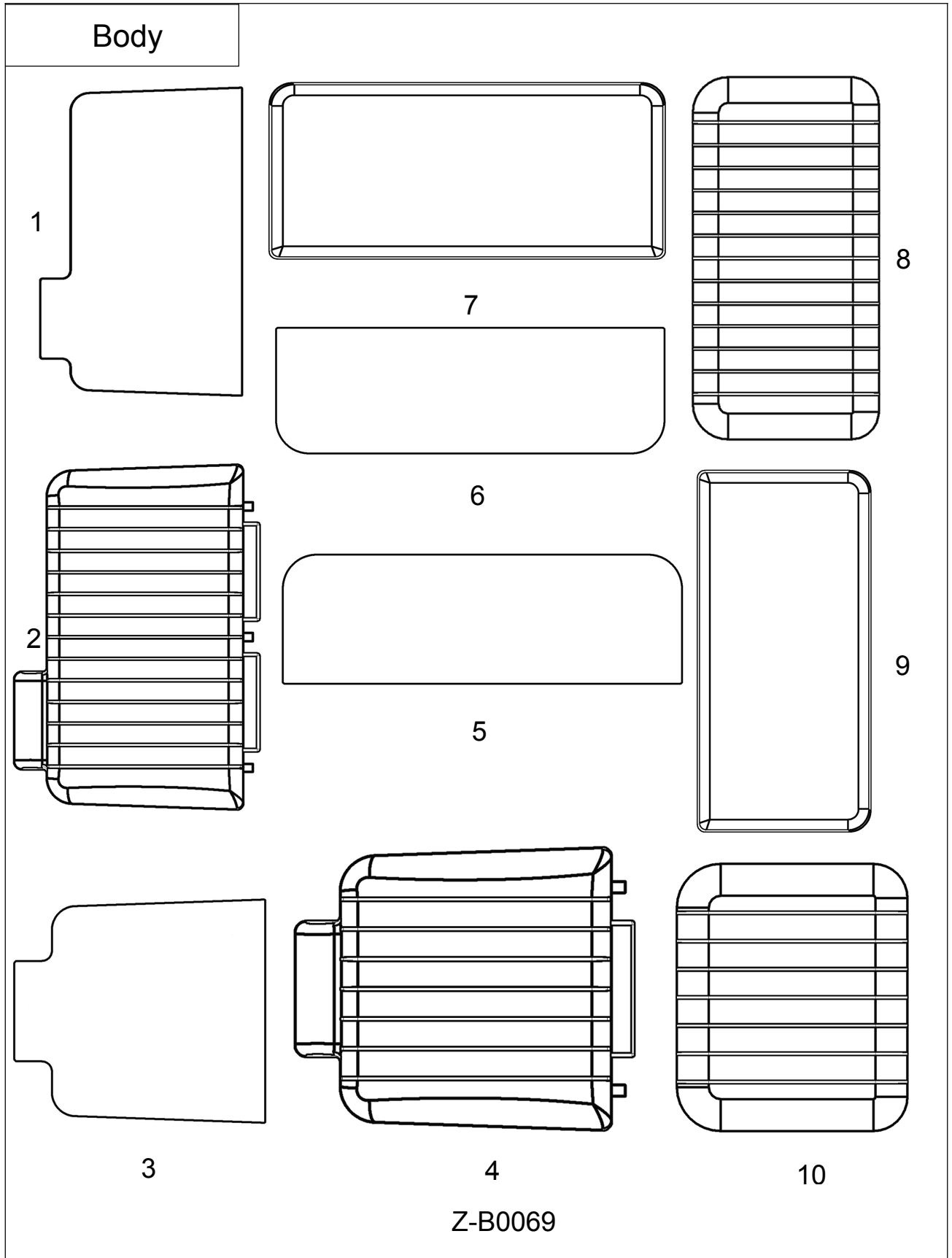
Body



Z-B0079



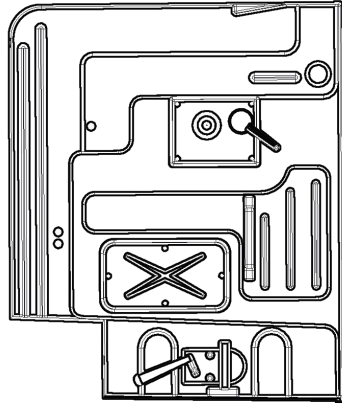
Z-B0063



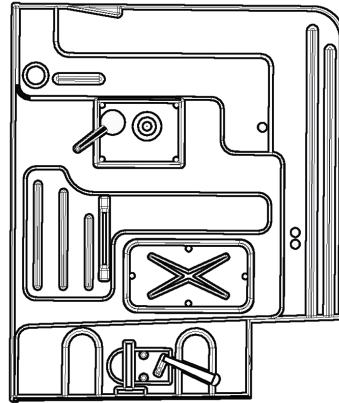


Body

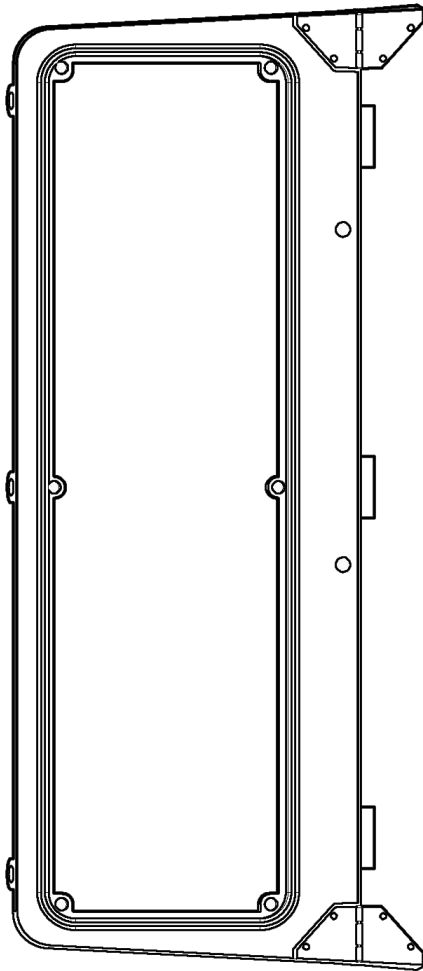
1



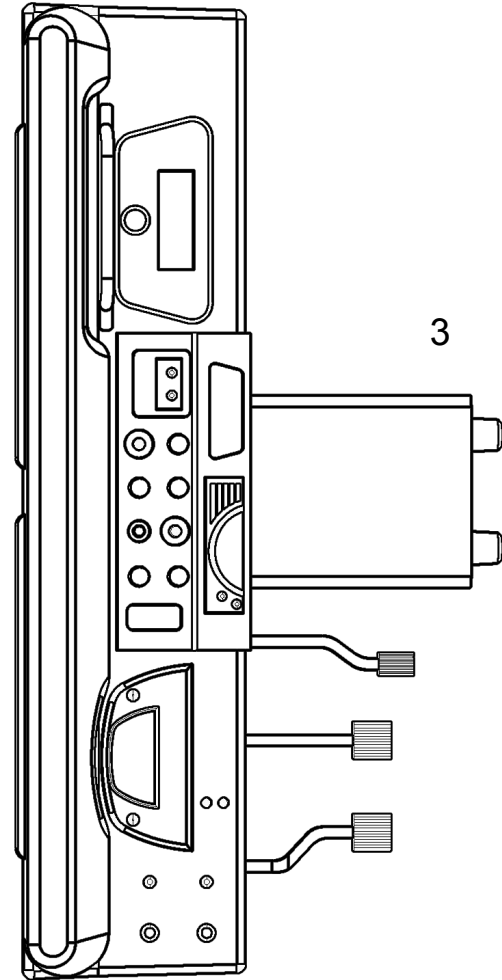
4



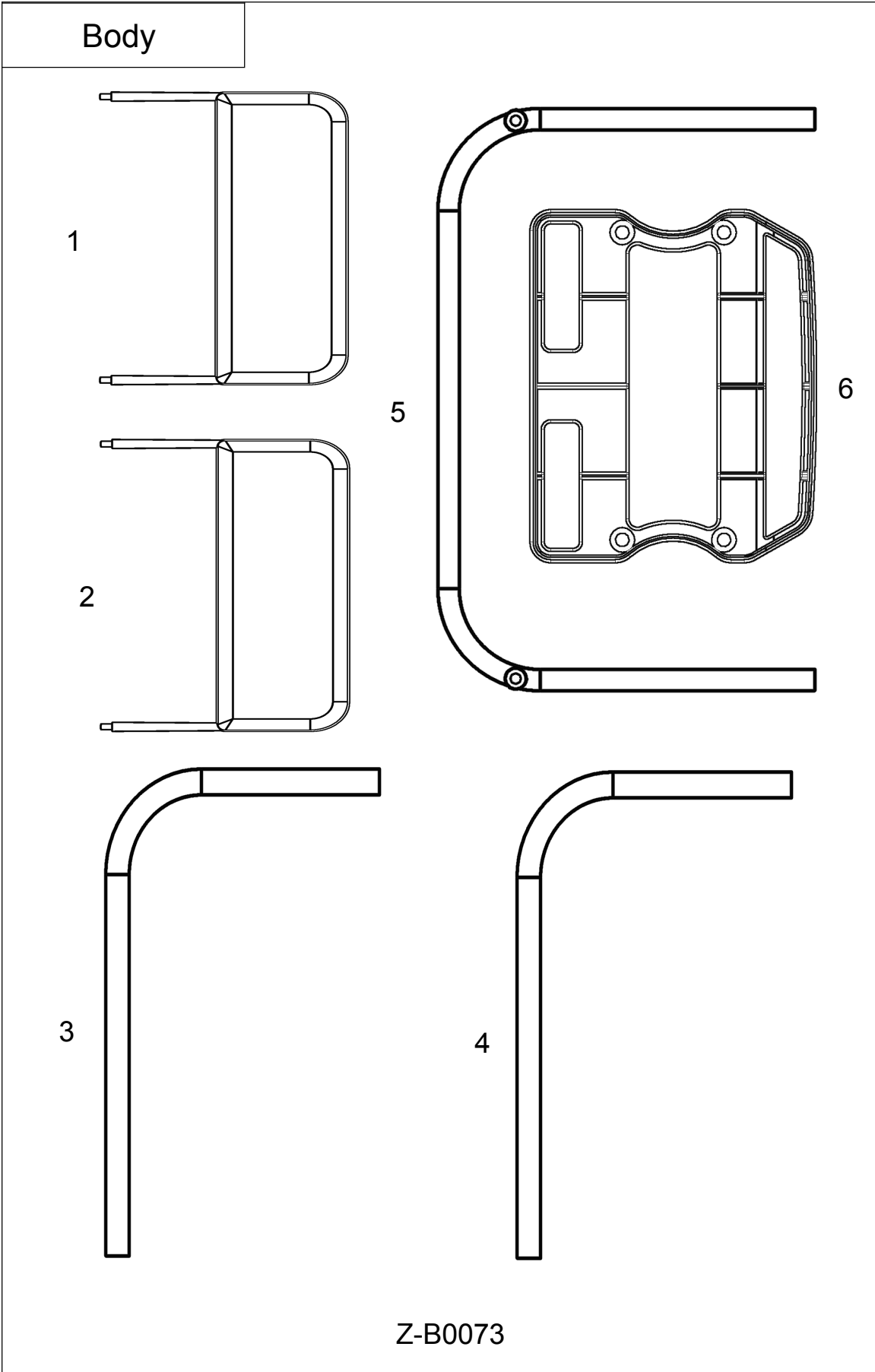
2



3

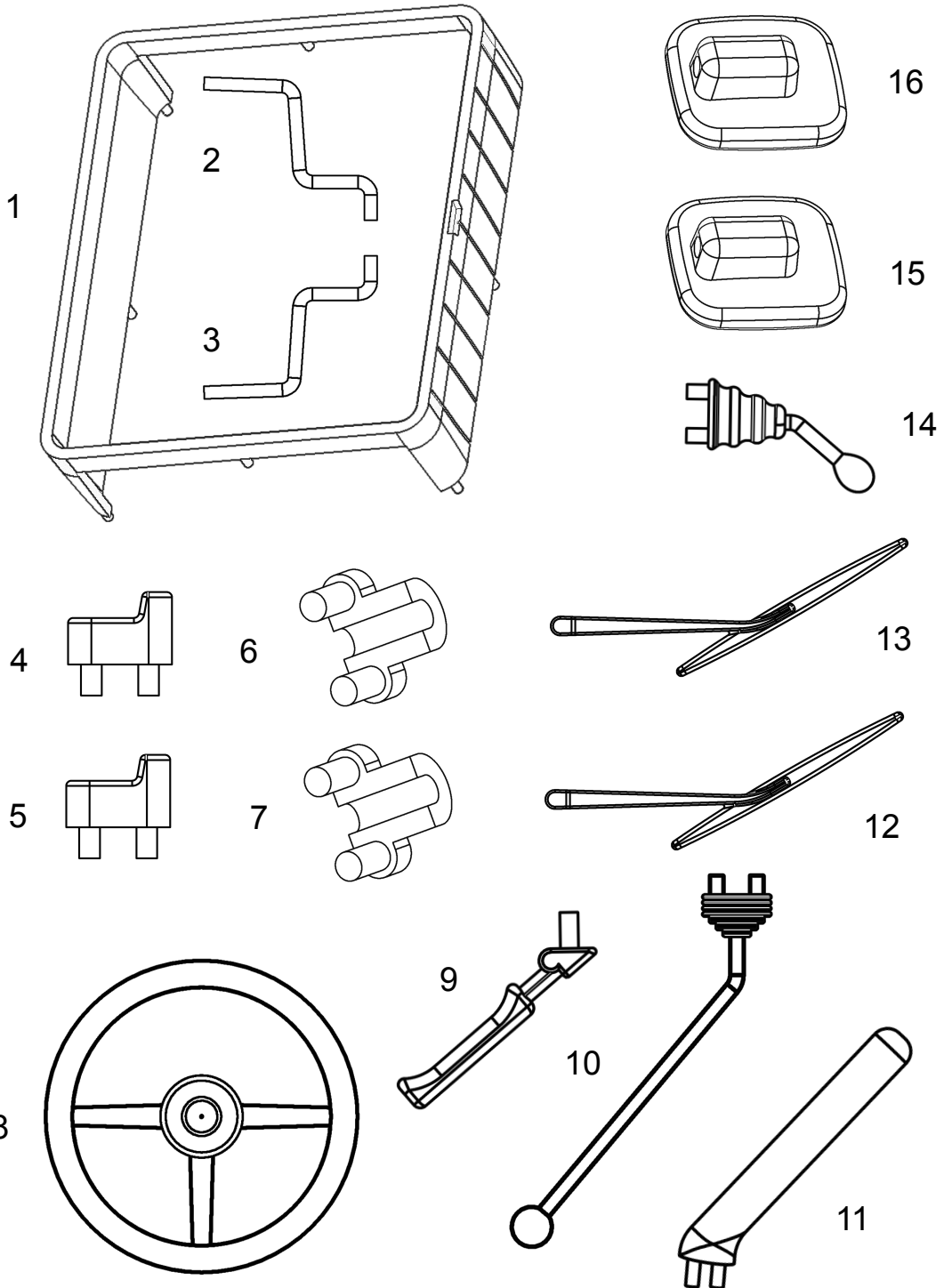


Z-B0067





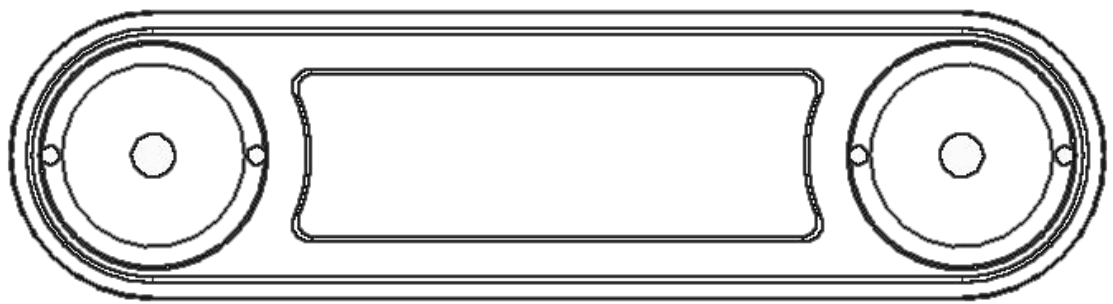
Body



Z-B0071

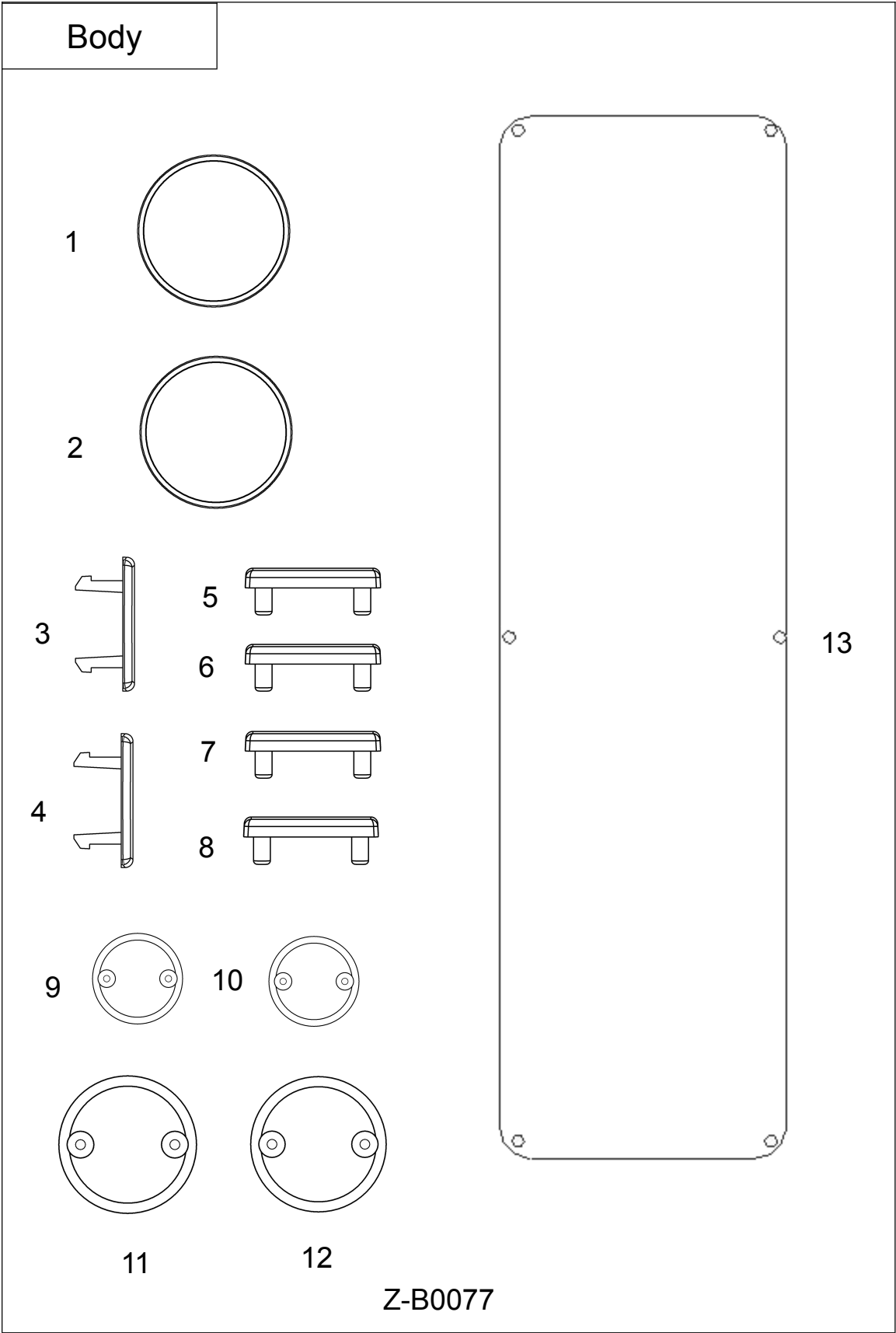


Body



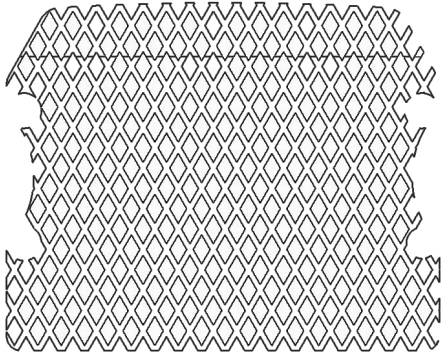
- 1
- 2
- 3
- 4
- 5
- 6
- 7
- 8
- 9
- 10
- 11
- 12
- 13
- 14
- 15
- 16
- 17
- 18
- 19
- 20
- 21
- 22
- 23
- 24

Z-B0075

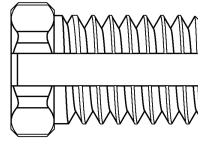




Body




Z-B0081



Z-B0083



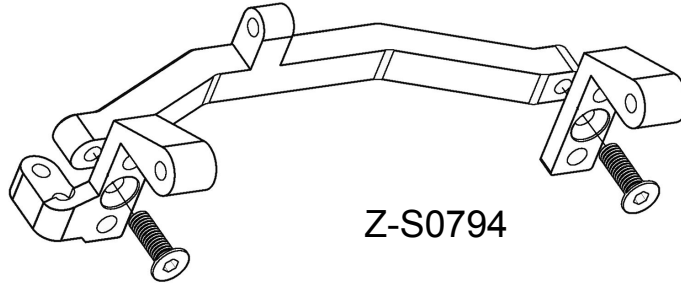
Thread Lock

Z-S0648 


M3X8

Assembly 1

All the hardware should be taken from Bag L
Parts can be found in Metal Parts Bag F

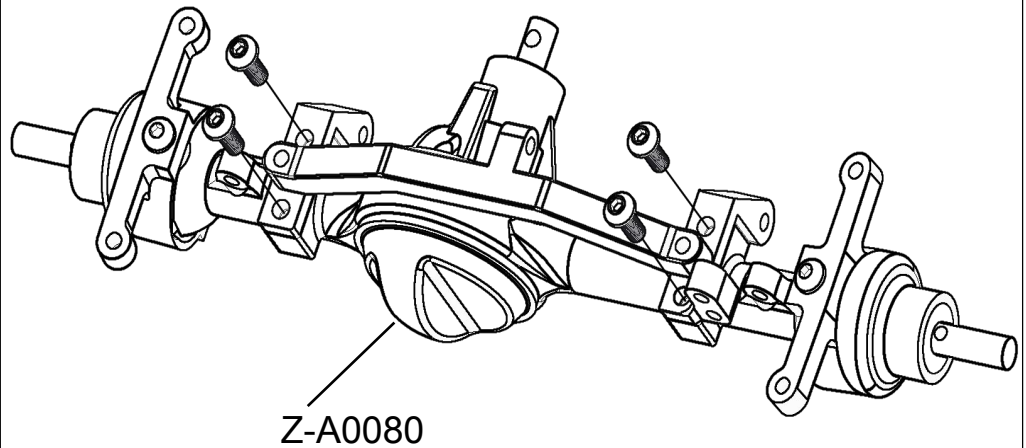


Thread Lock


Z-S0652 

M3x8

Assembly 2

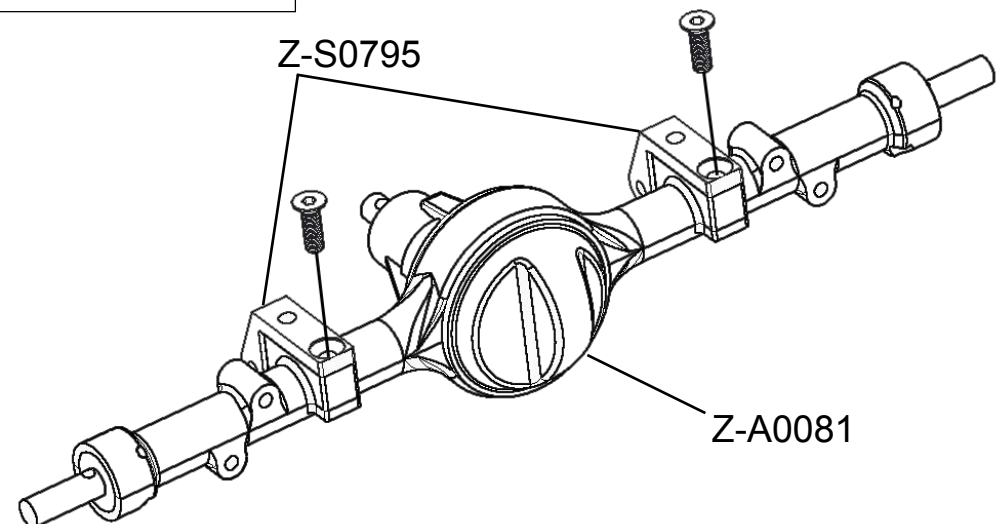


Thread Lock

Z-S0860 

M3x10

Assembly 3



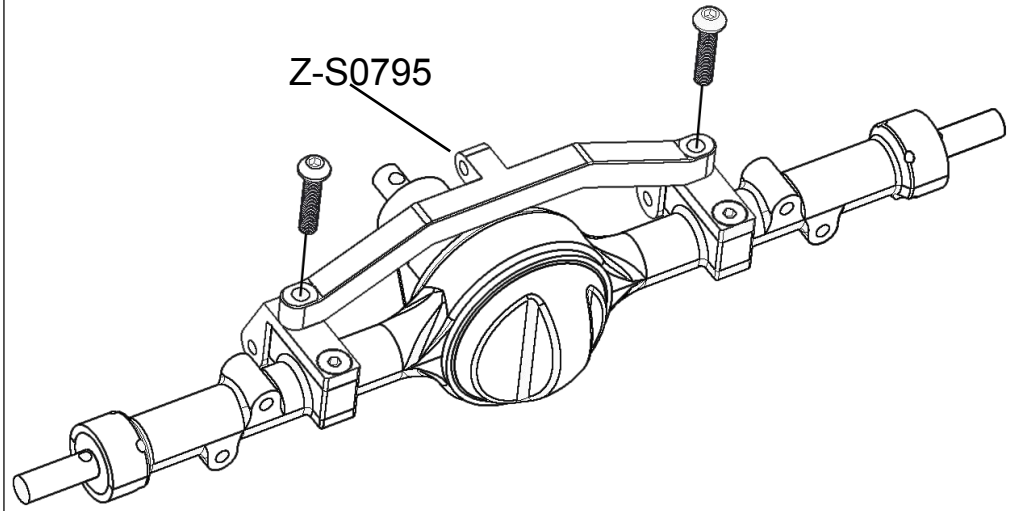


Thread Lock

Z-S0655

M3X14

Assembly 4

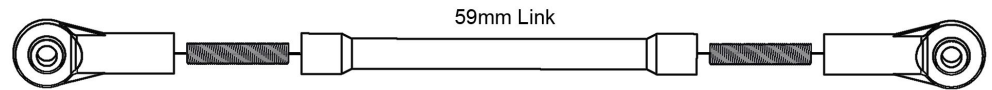


Z-S0650

M3X15

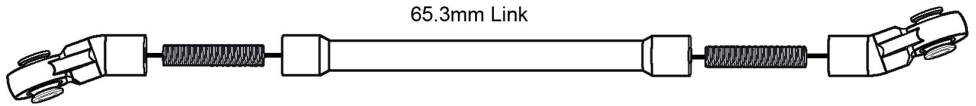
Assembly 5

Plastic parts can be found in parts Bag G



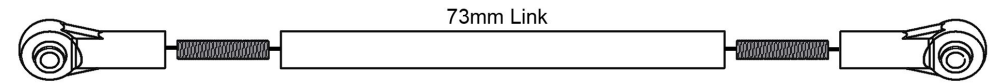
59mm Link

Z-S0399



65.3mm Link

Z-S0402



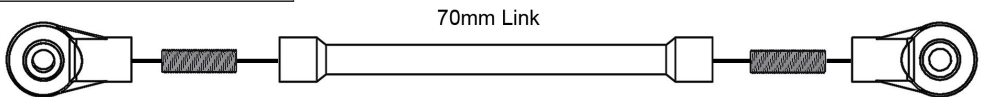
73mm Link

Z-S0399

Z-S0308

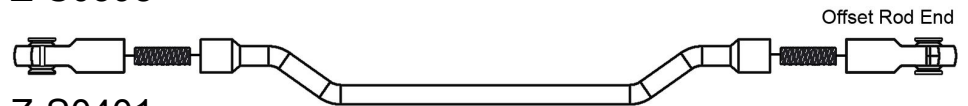
M3X10

Assembly 6



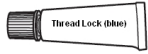
70mm Link

Z-S0398




Offset Rod End

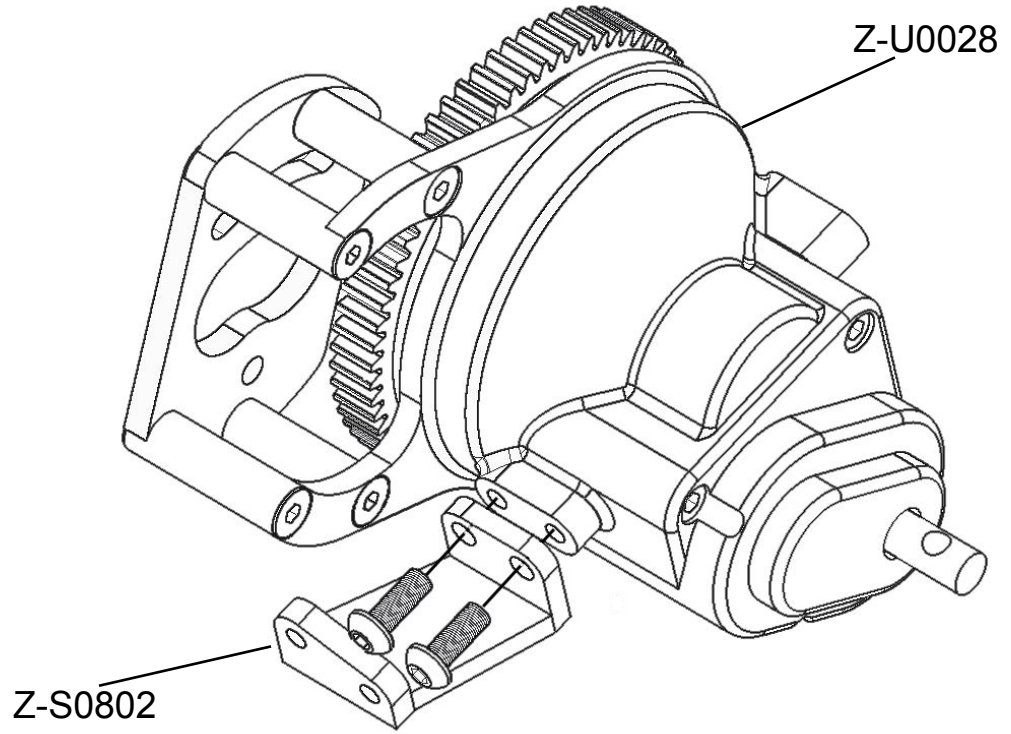
Z-S0401



Thread Lock

Z-S0652 
M3X8

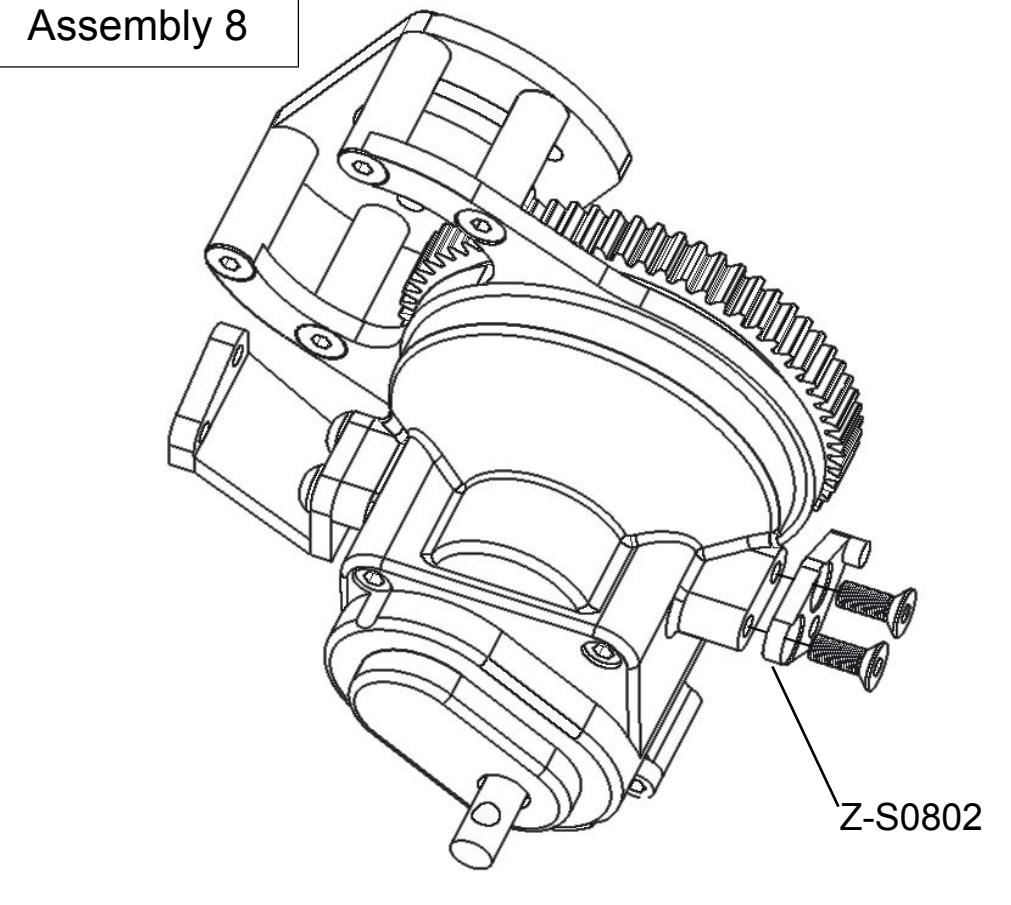
Assembly 7



Thread Lock


Z-S0649 
M3X8

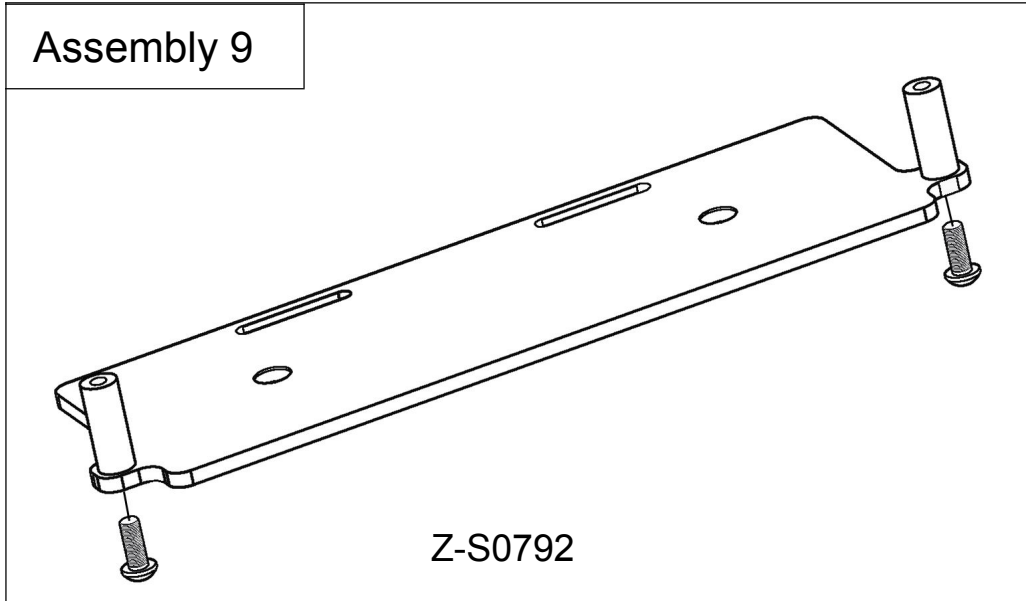
Assembly 8






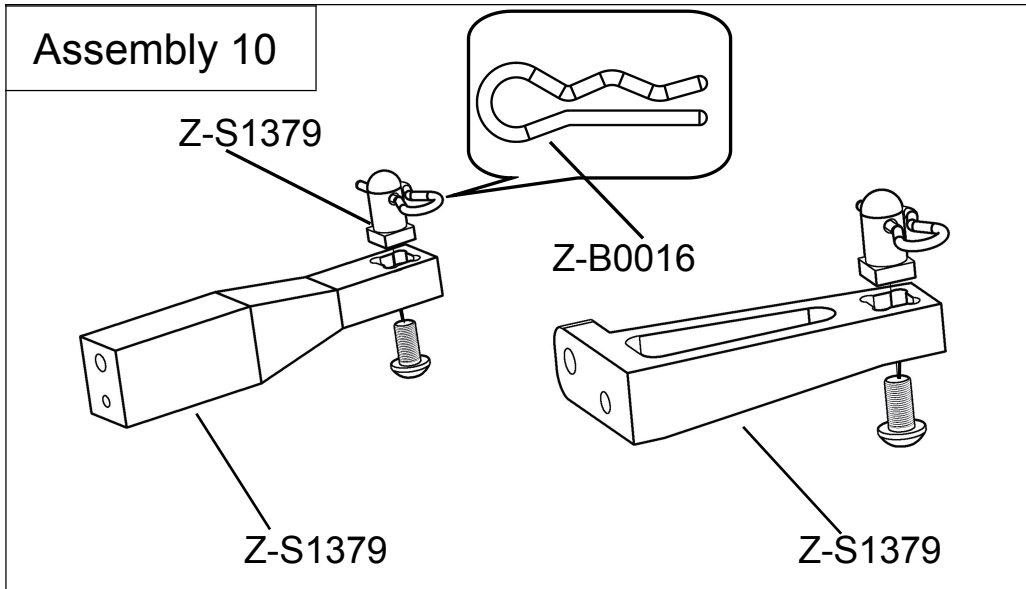
Thread Lock

Z-S0652 
M3X8





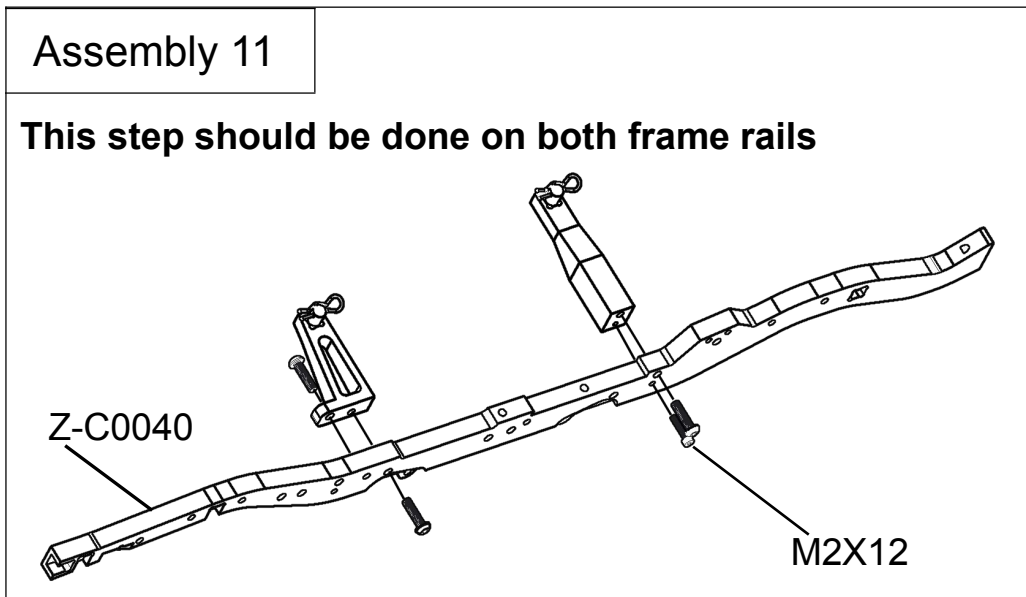
Thread Lock

Z-S0652 
M3X8



Thread Lock


Z-S0953 
M2X12
Z-S0654 
M3X12





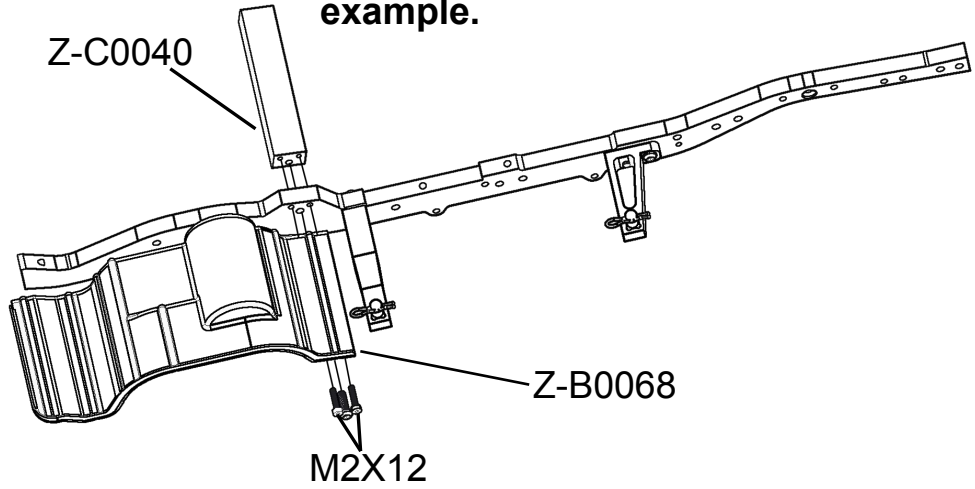
Thread Lock

Z-S0953 
M2X12

Z-S0654 
M3X12

Assembly 12

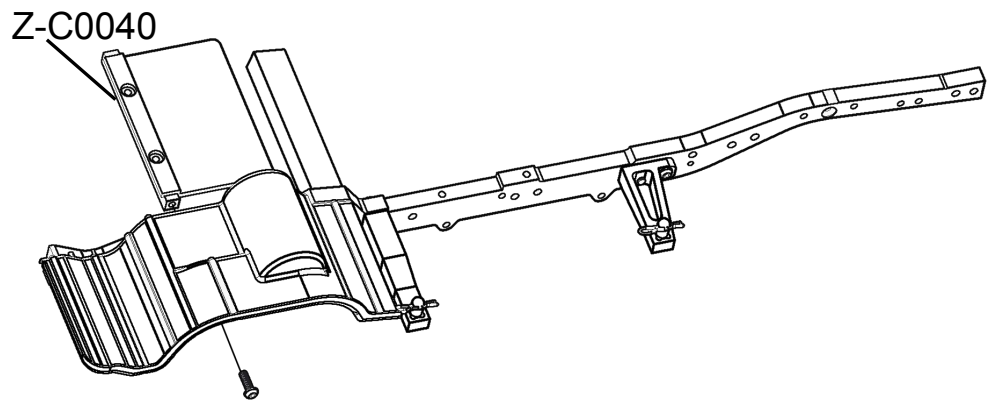
Note: This kit does not included inner fenders. Direction shown for example.



Thread Lock

Z-S0653 
M3X10

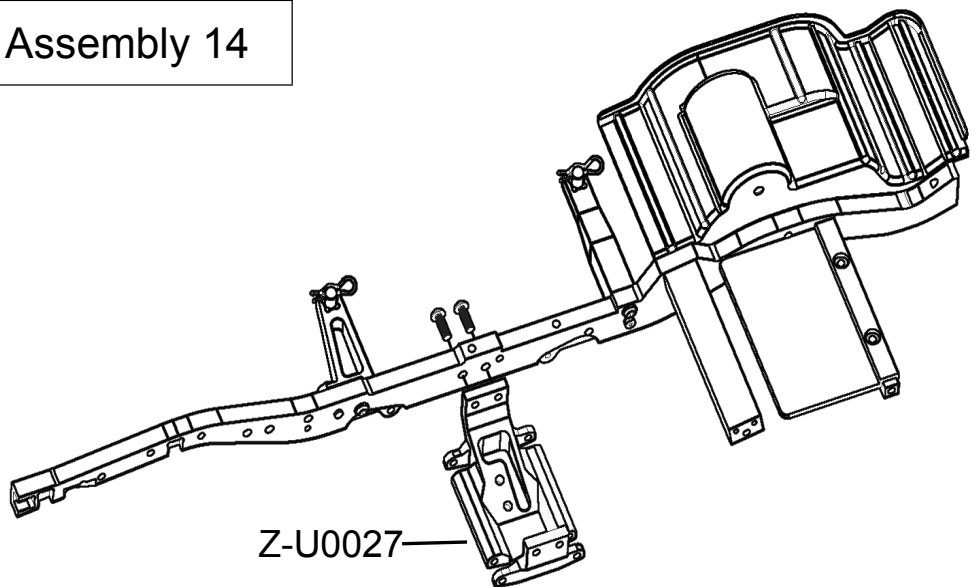
Assembly 13



Thread Lock

Z-S0653 
M3X10

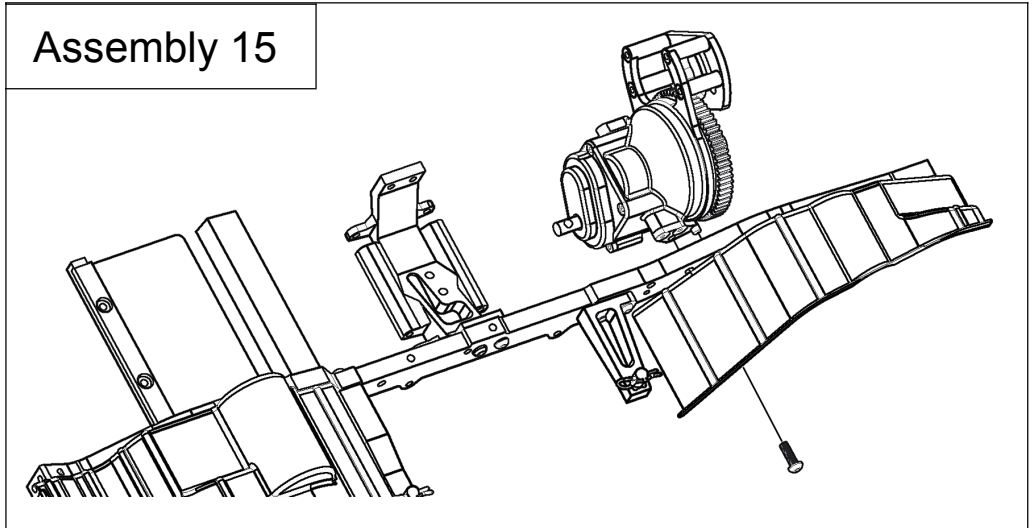
Assembly 14





Thread Lock


Z-S0653 
M3X10




Assembly 15

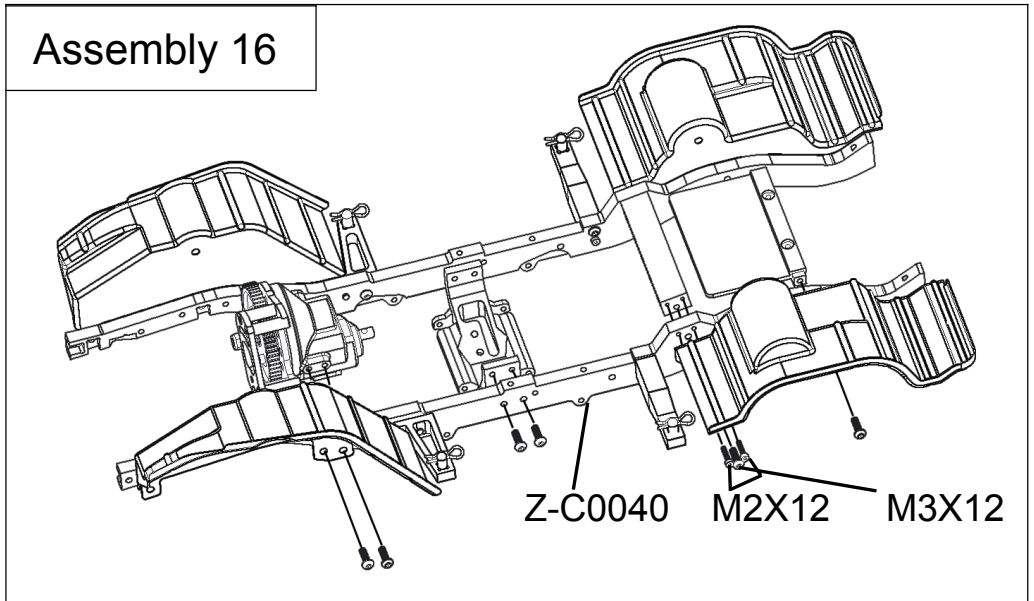


Thread Lock

Z-S0653 
M3X10

Z-S0654 
M3X12

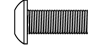
Z-S0953 
M2X12

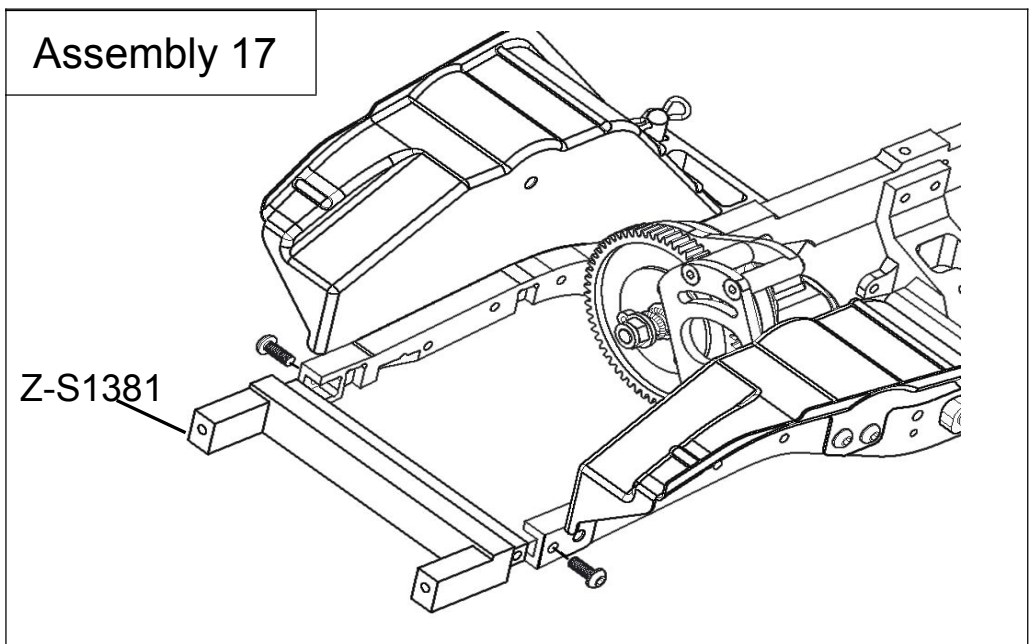


Assembly 16



Thread Lock

Z-S0652 
M3X8



Assembly 17



Assembly 18

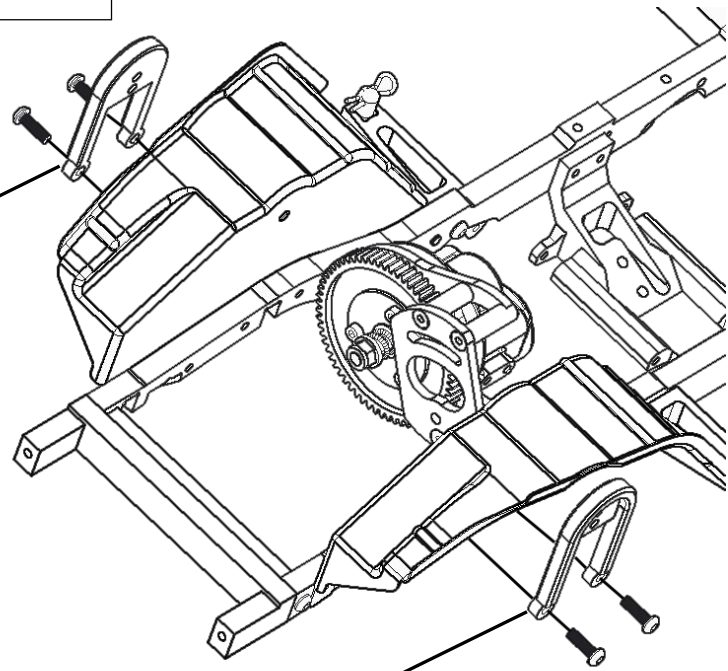
Thread Lock

Z-S0653



M3X10

Z-S0798



Z-S0798



Assembly 19

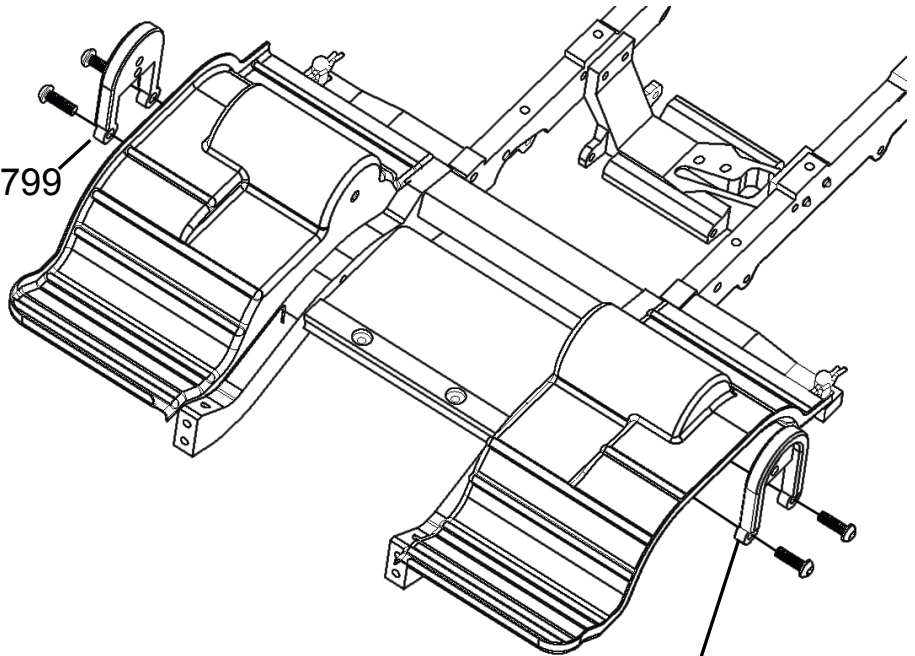
Thread Lock

Z-S0653



M3X10


Z-S0799

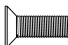


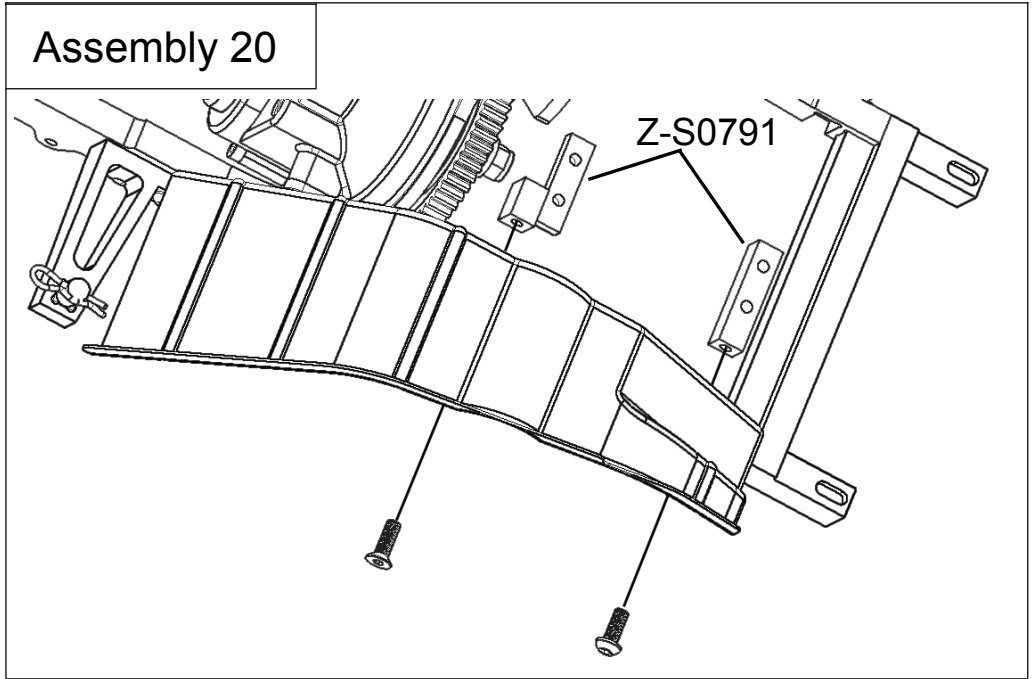
Z-S0799



Thread Lock

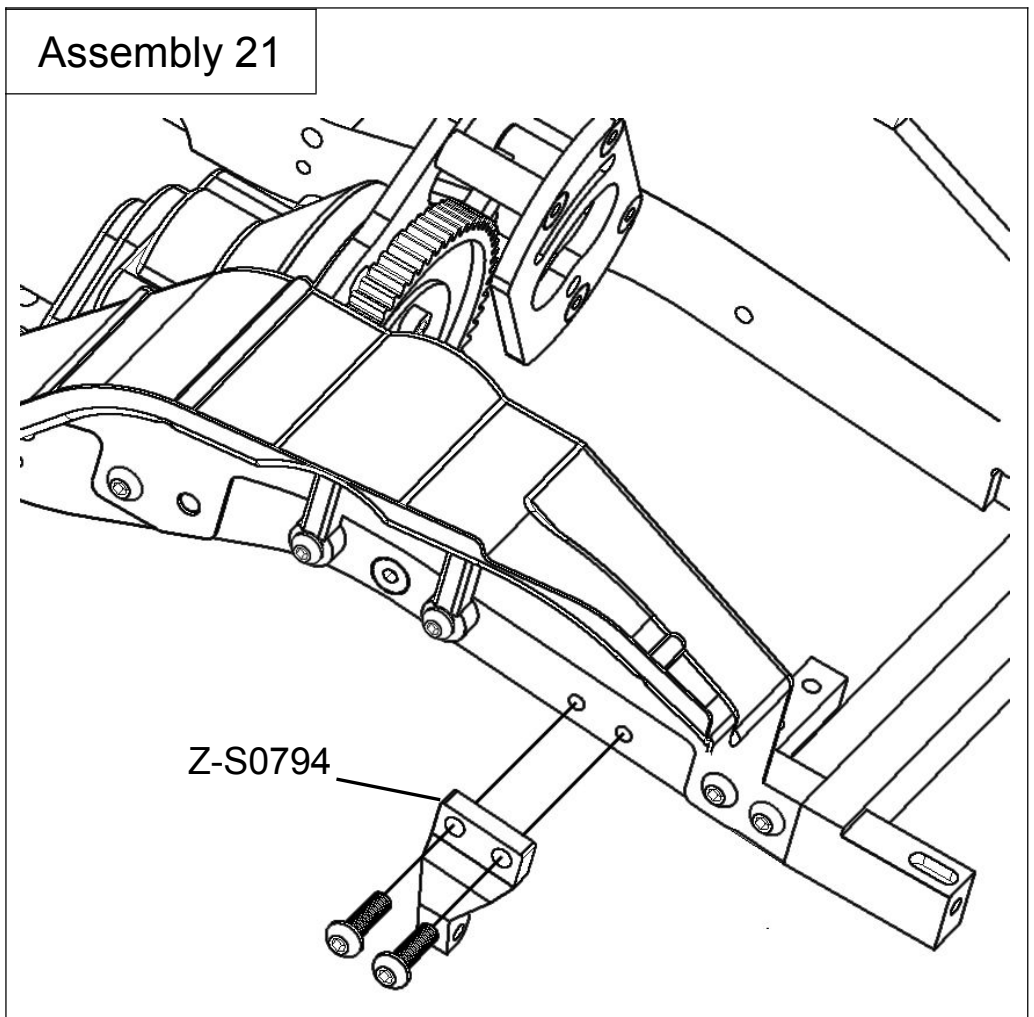
Z-S0652 
M3X8

Z-S0652 
M3X8



Thread Lock

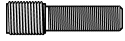
Z-S0653 
M3X10





Thread Lock

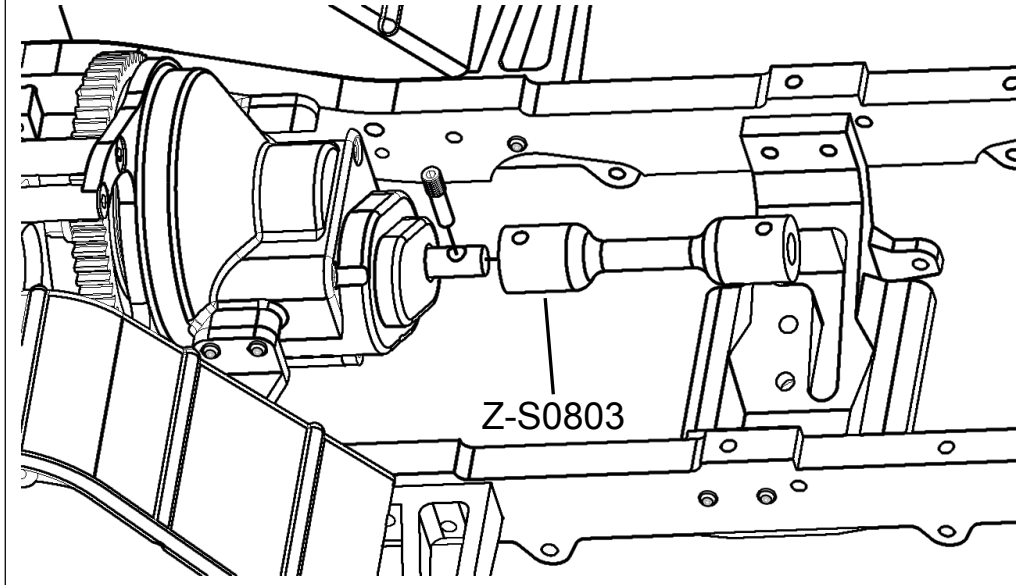
Z-S0804



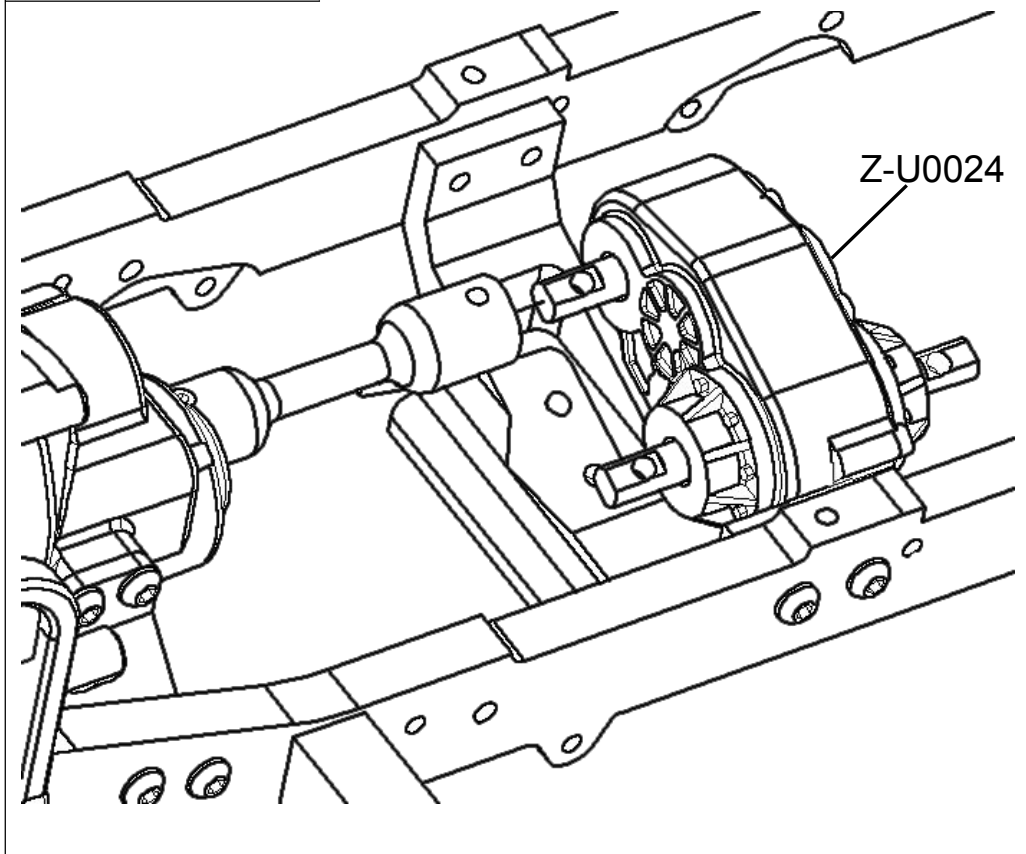
M3 Drivehaft

Screw Pin

Assembly 22




Assembly 23

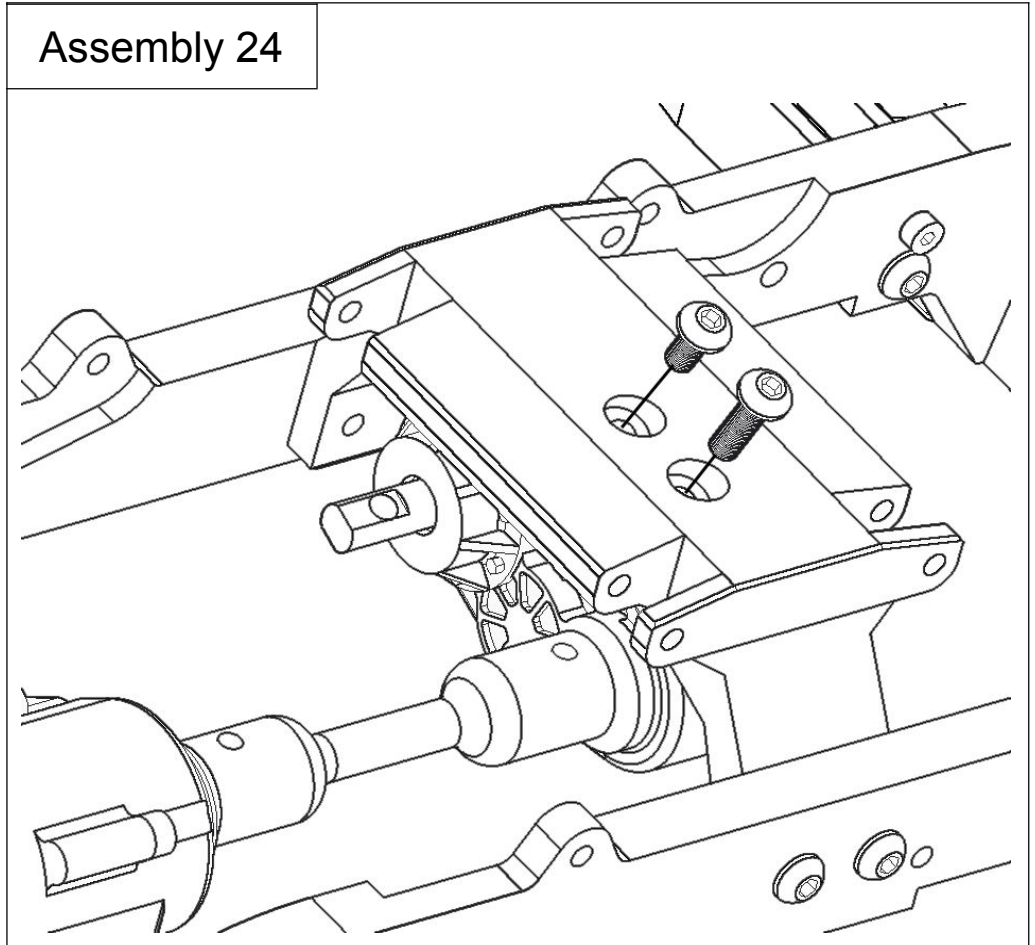




Thread Lock

Z-S0651 
M3X6


Z-S0653 
M3X10

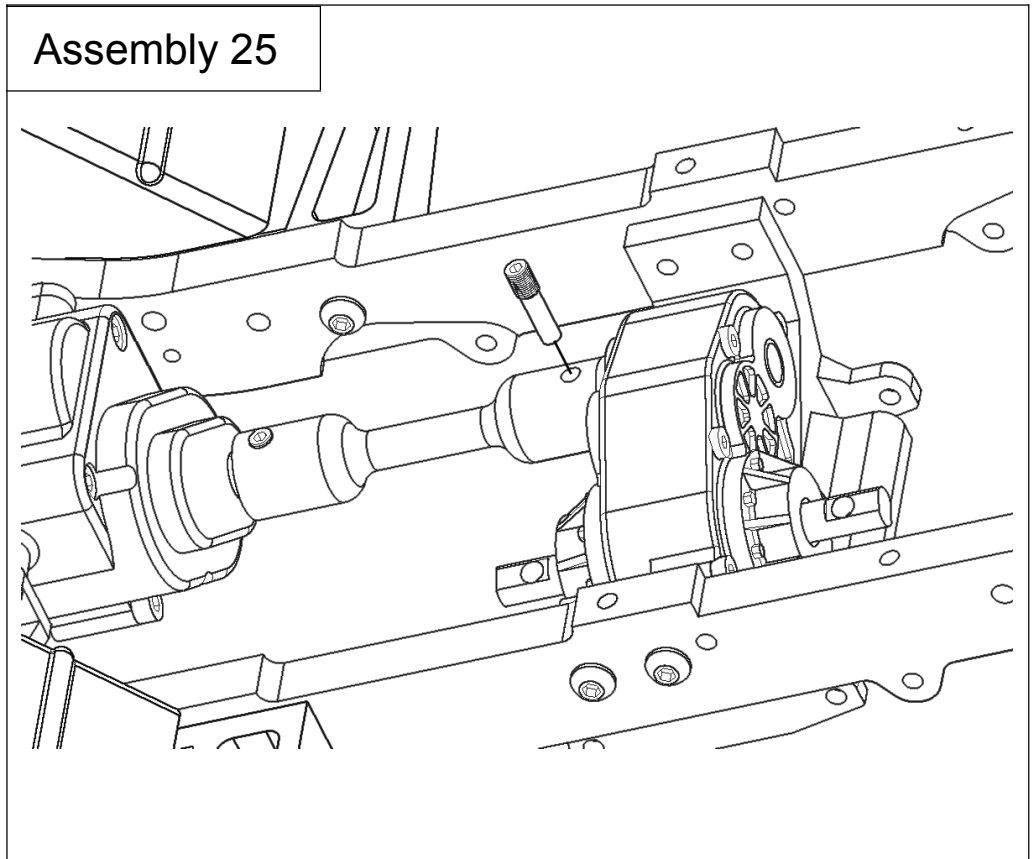


Assembly 24

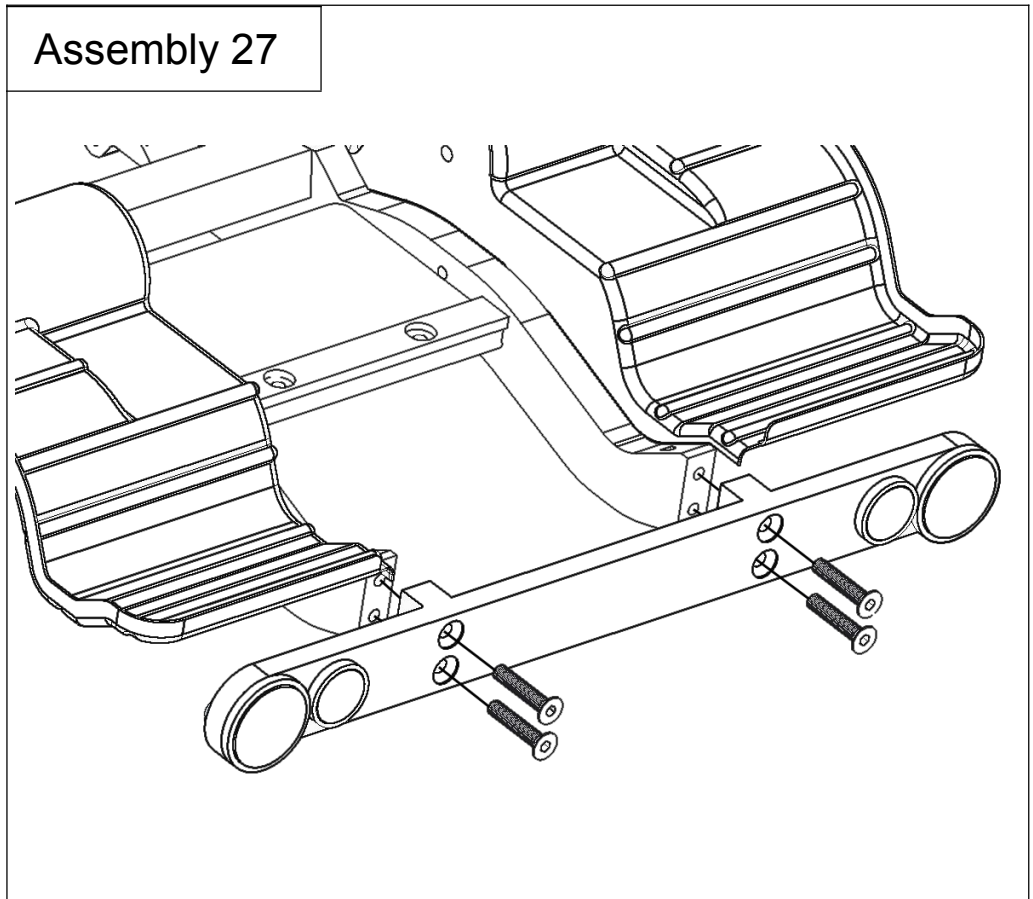
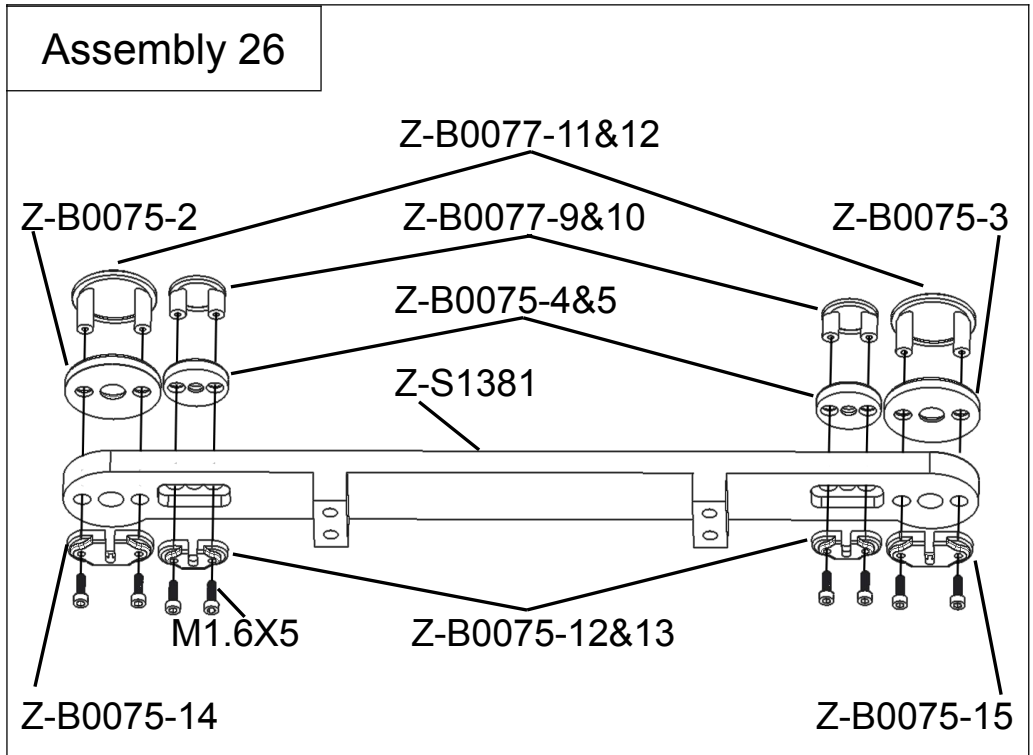


Thread Lock

Z-S0804 
M3 Drivehaft
Screw Pin




Assembly 25

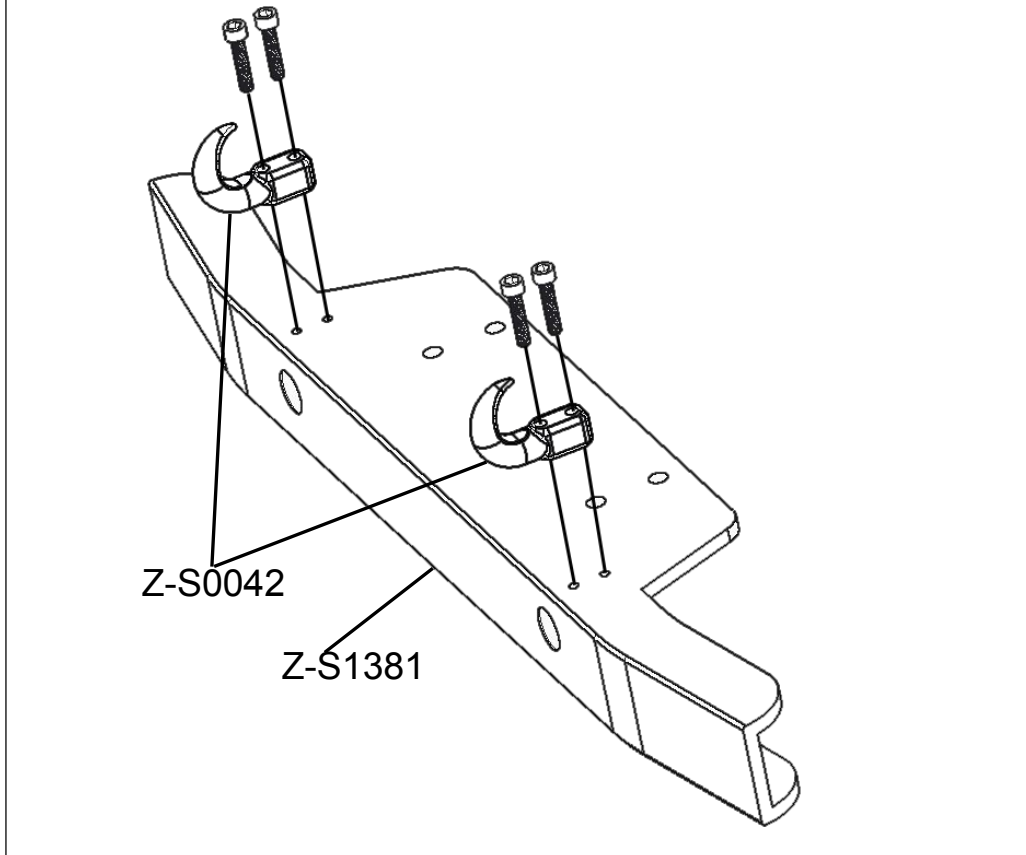




Thread Lock

Z-S1255 
M1.6X8

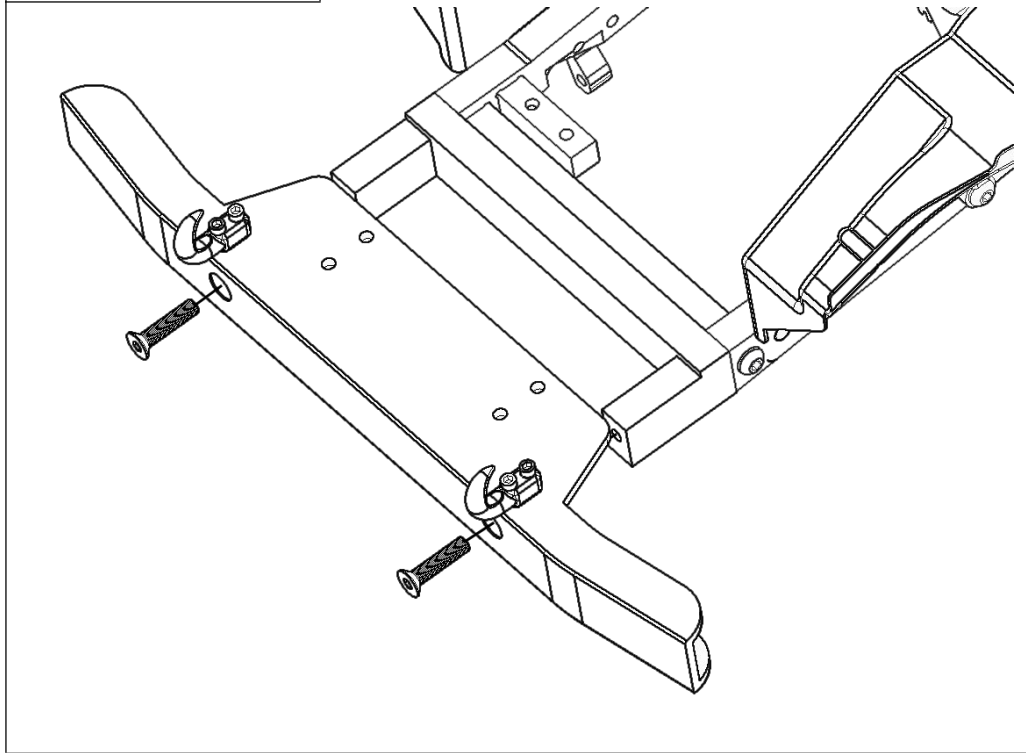
Assembly 28



Thread Lock

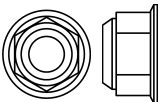
Z-S0746 
M3X14

Assembly 29

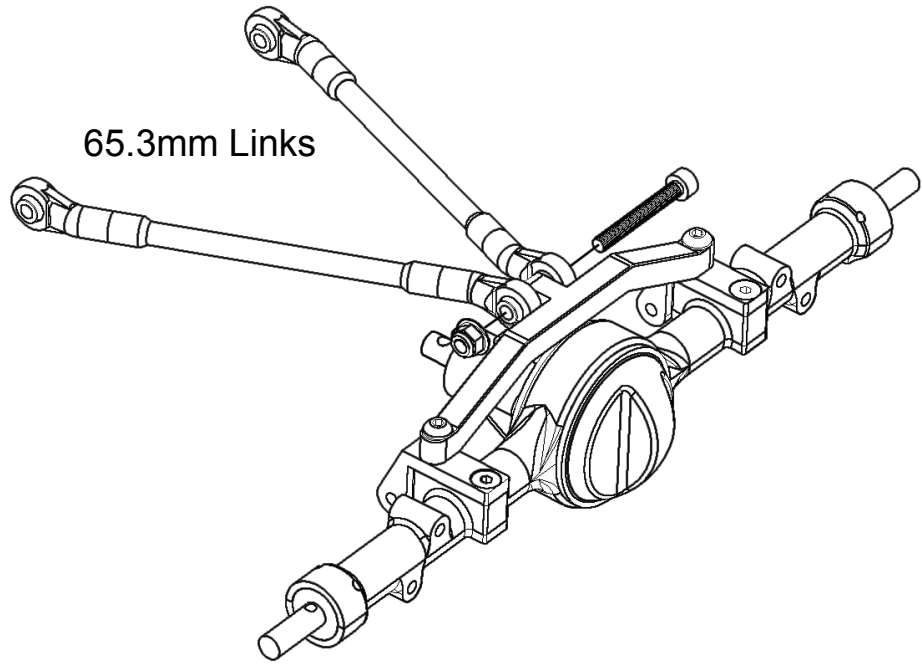




Z-S0739 
M3X25

Z-S0629 
M3 Nut

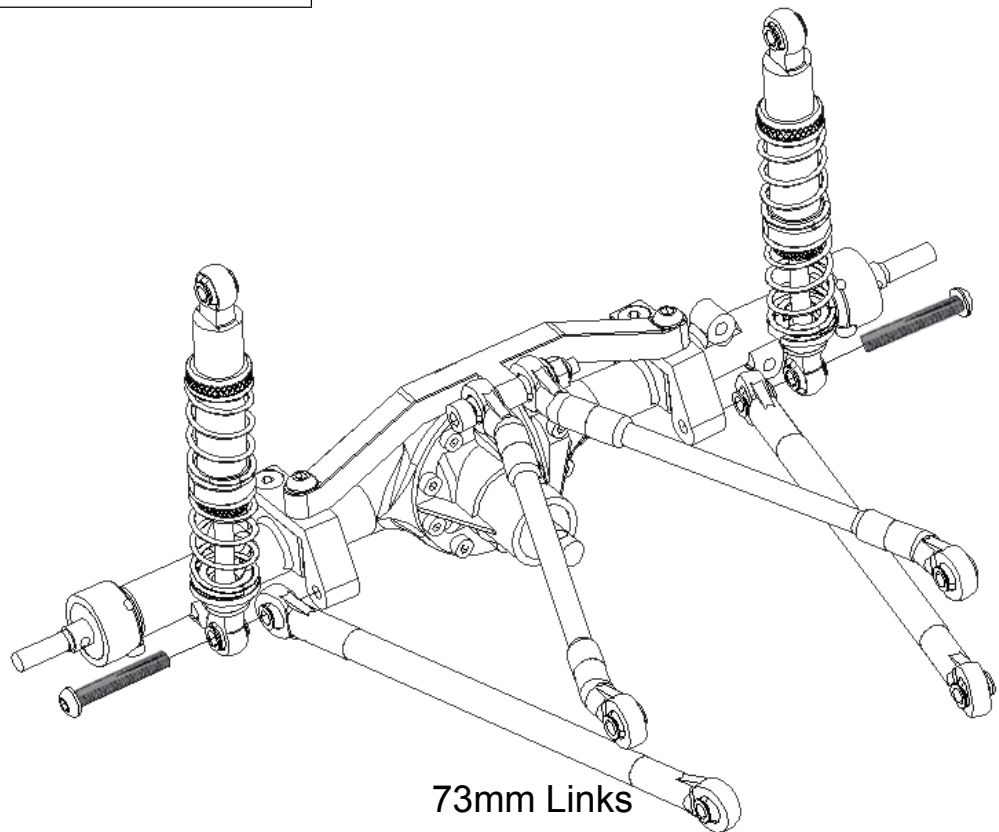
Assembly 30



Thread Lock


Z-S0895 
M3X20

Assembly 31



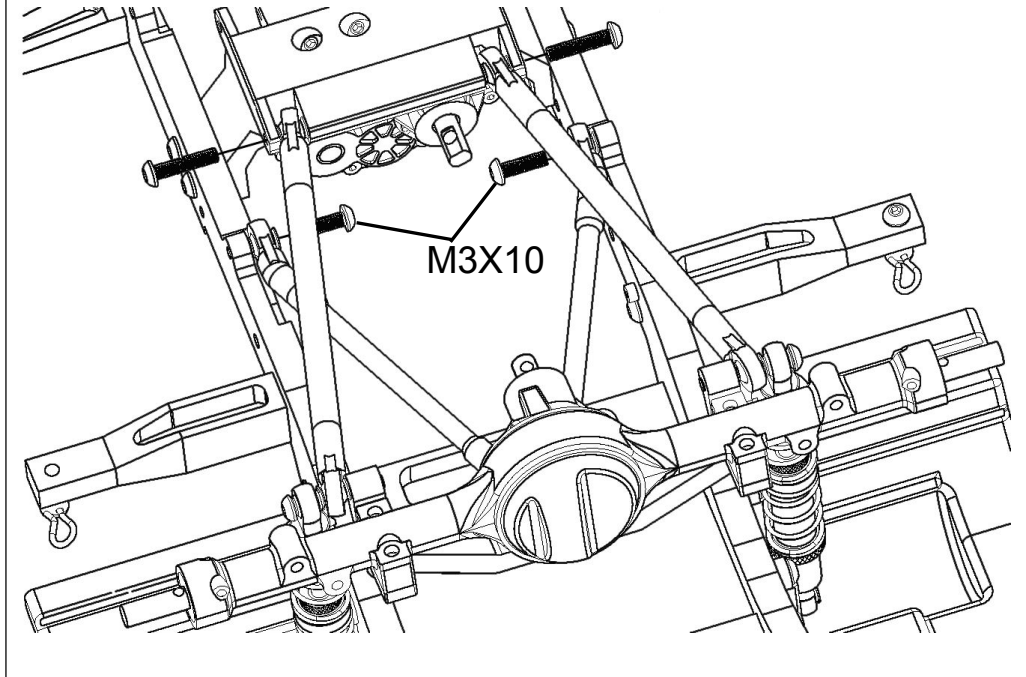


Thread Lock

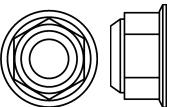
Z-S0653  M3X10


Z-S0655  M3X14

Assembly 32

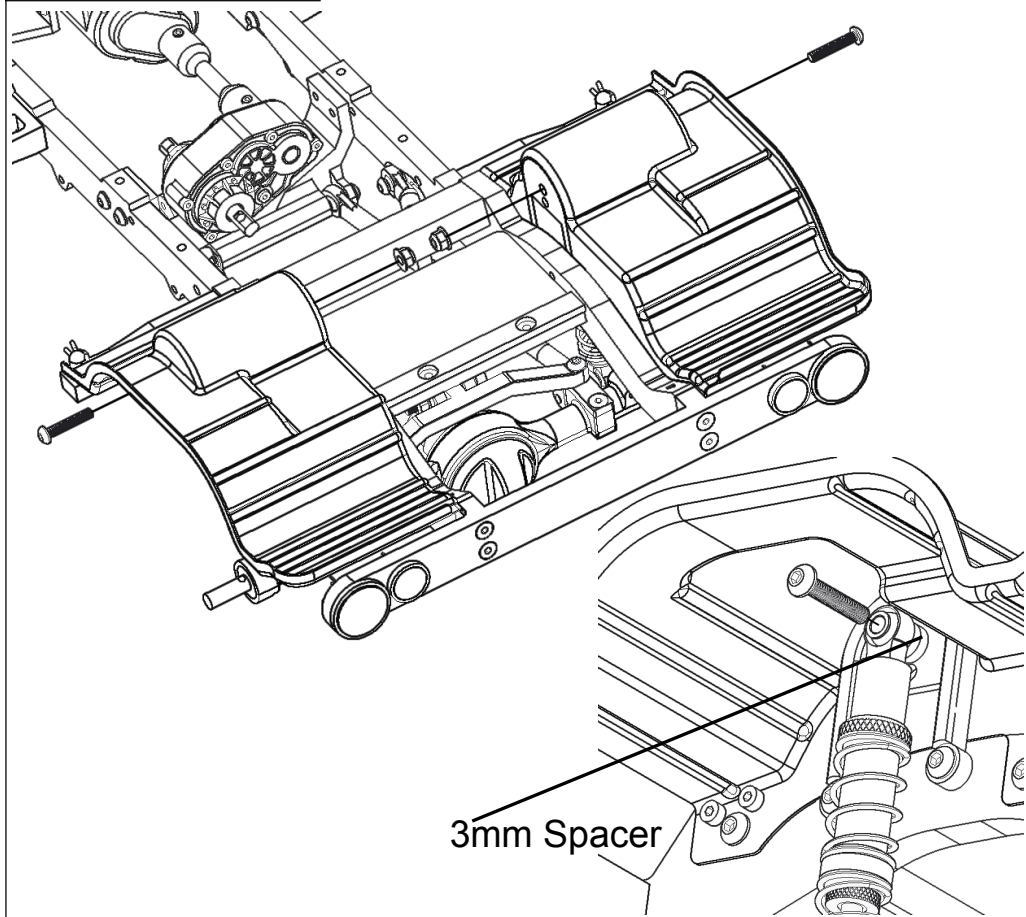


Z-S0656  M3X16

Z-S0629  M3 Nut

Z-S0806  3mm Spacer

Assembly 33





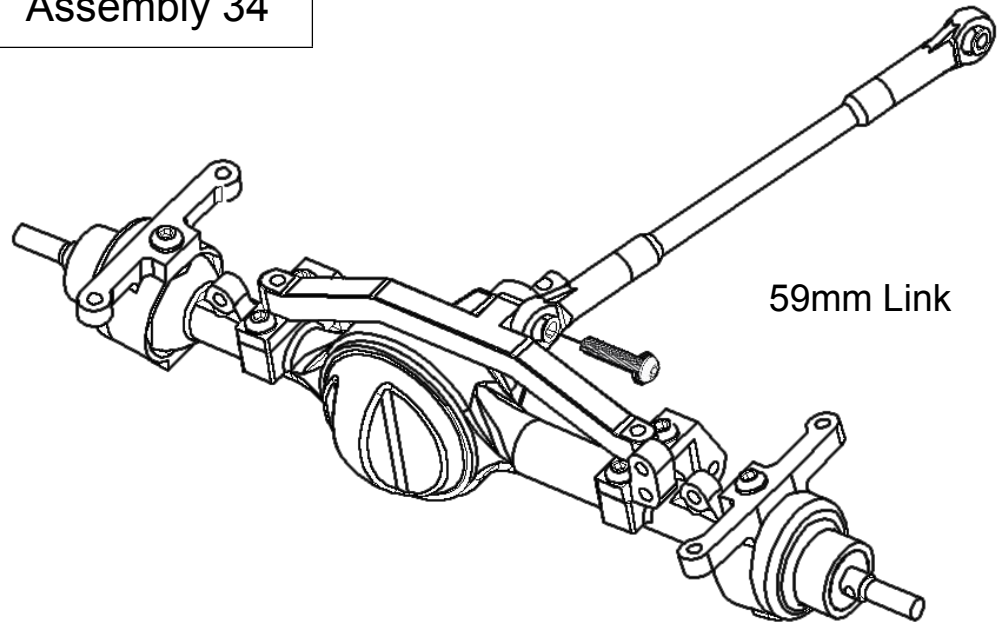
Thread Lock

Assembly 34

Z-S0654



M3X12



59mm Link



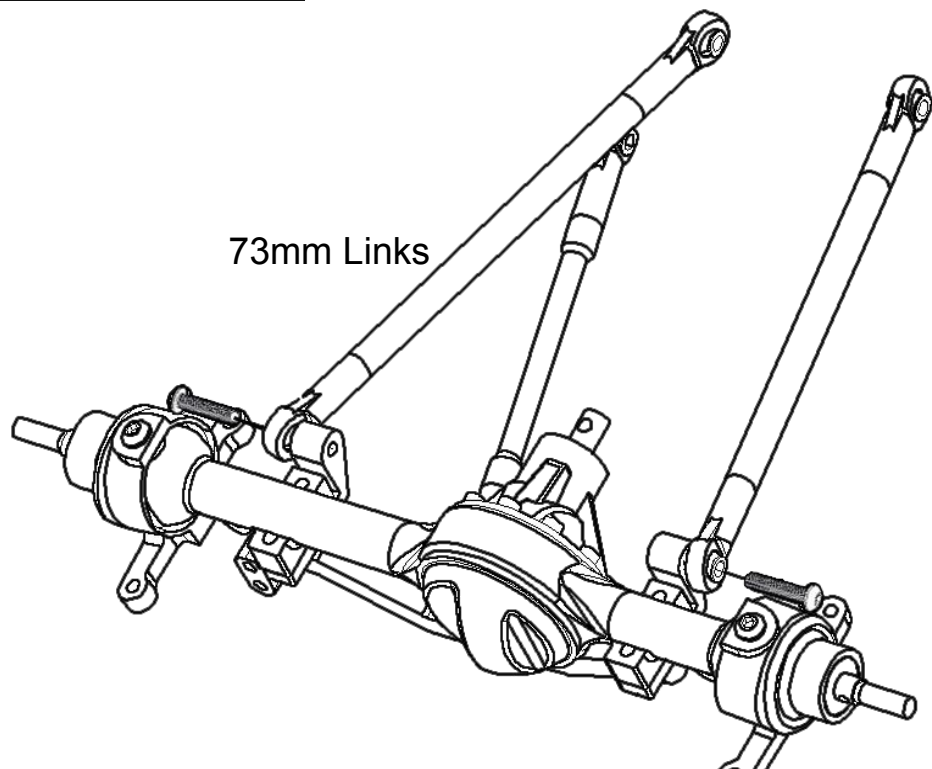
Thread Lock

Assembly 35

Z-S0655



M3X14



73mm Links



Thread Lock

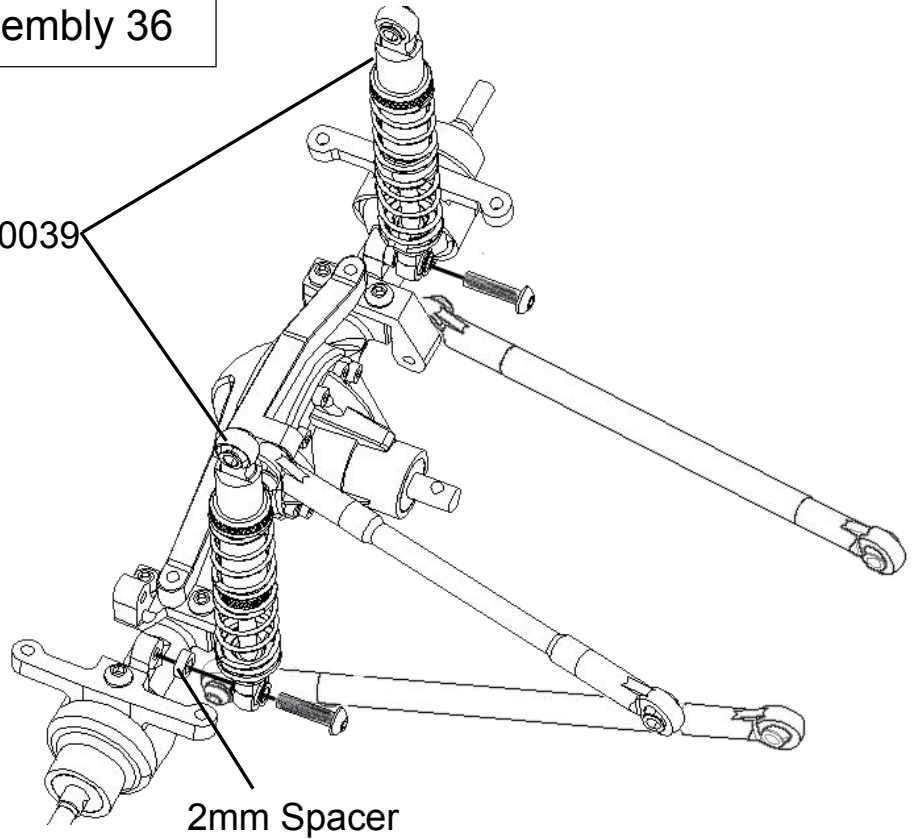


Z-S0654

M3X12

Assembly 36

Z-D0039



2mm Spacer



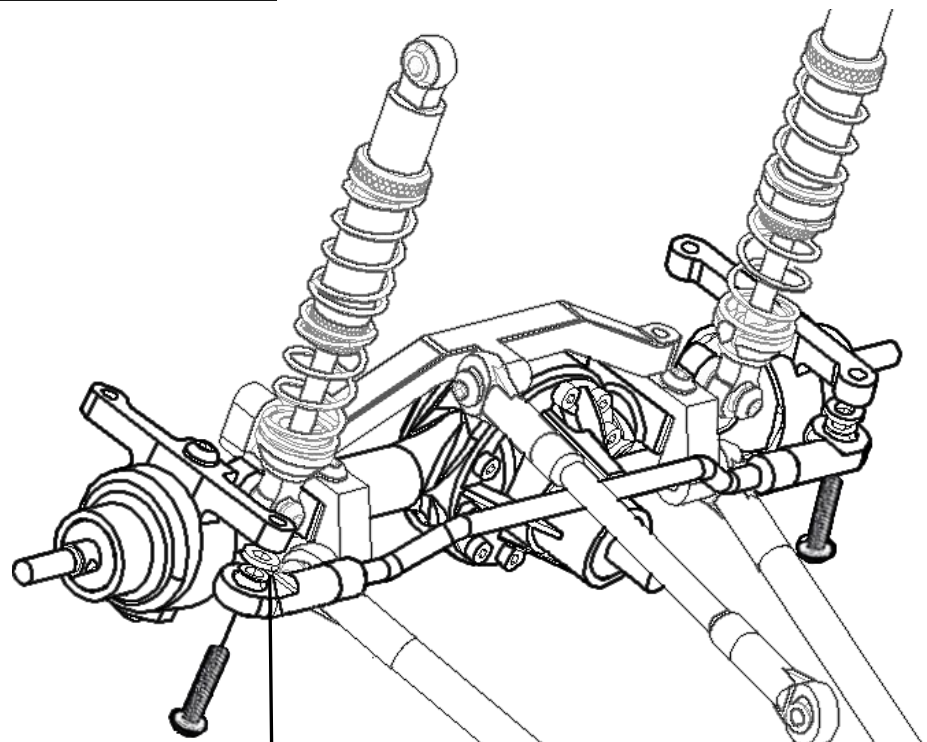
Thread Lock



Z-S0654

M3X12

Assembly 37




1mm Spacer

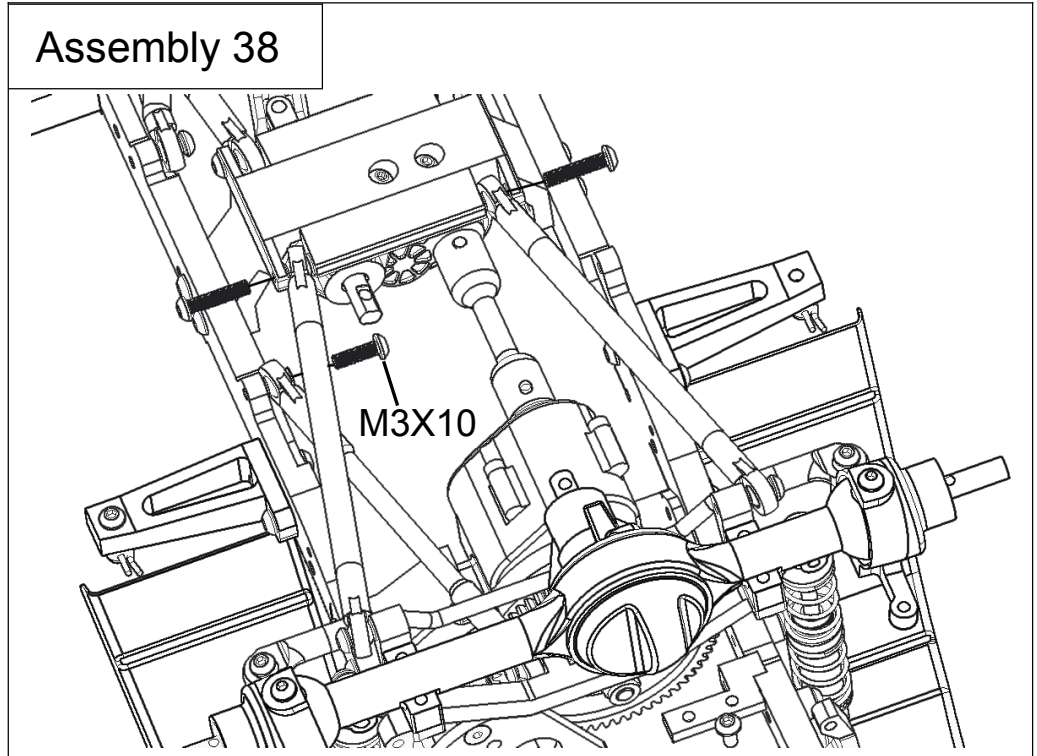


Assembly 38

Thread Lock


Z-S0653 
M3X10

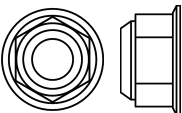
Z-S0655 
M3X14




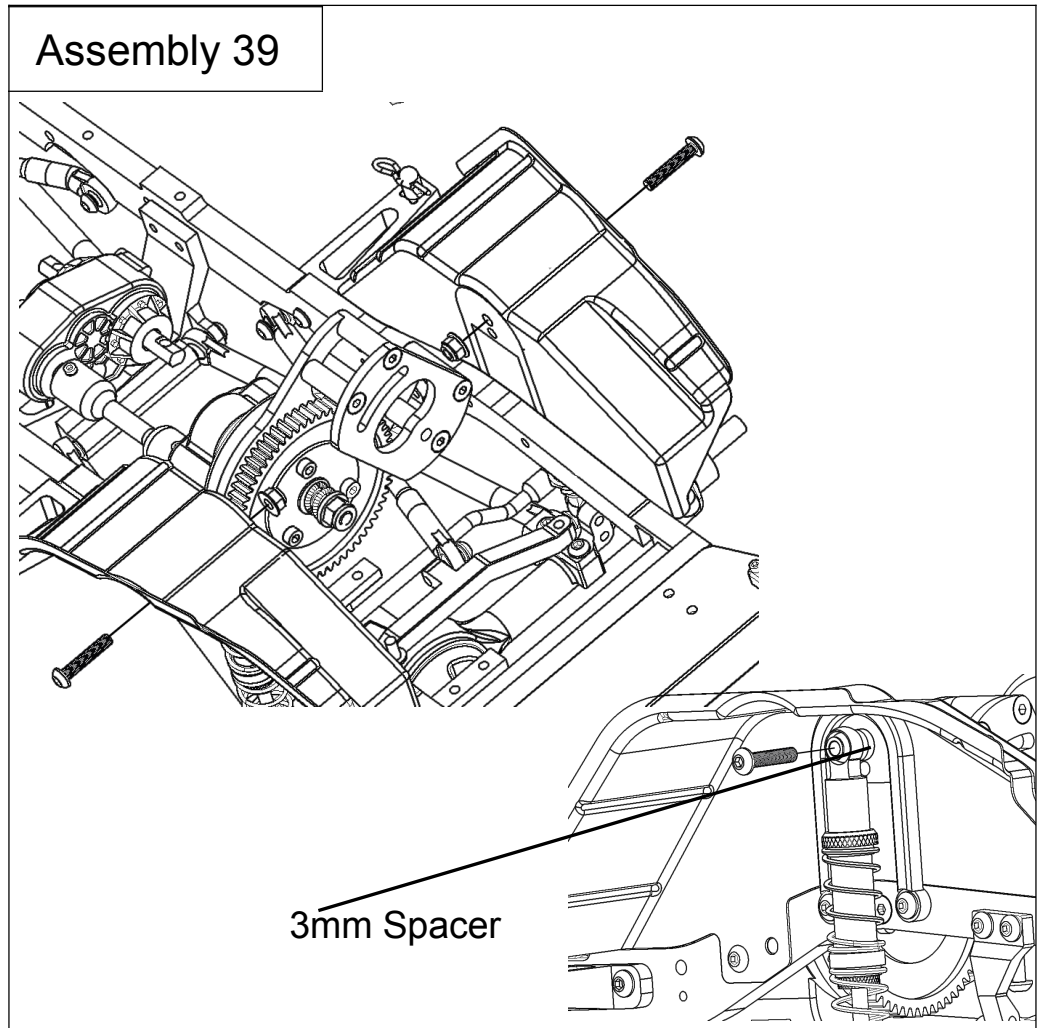
Assembly 39

Thread Lock

Z-S0656 
M3X16

Z-S0629 
M3 Nut

Z-S0806 
3mm Spacer





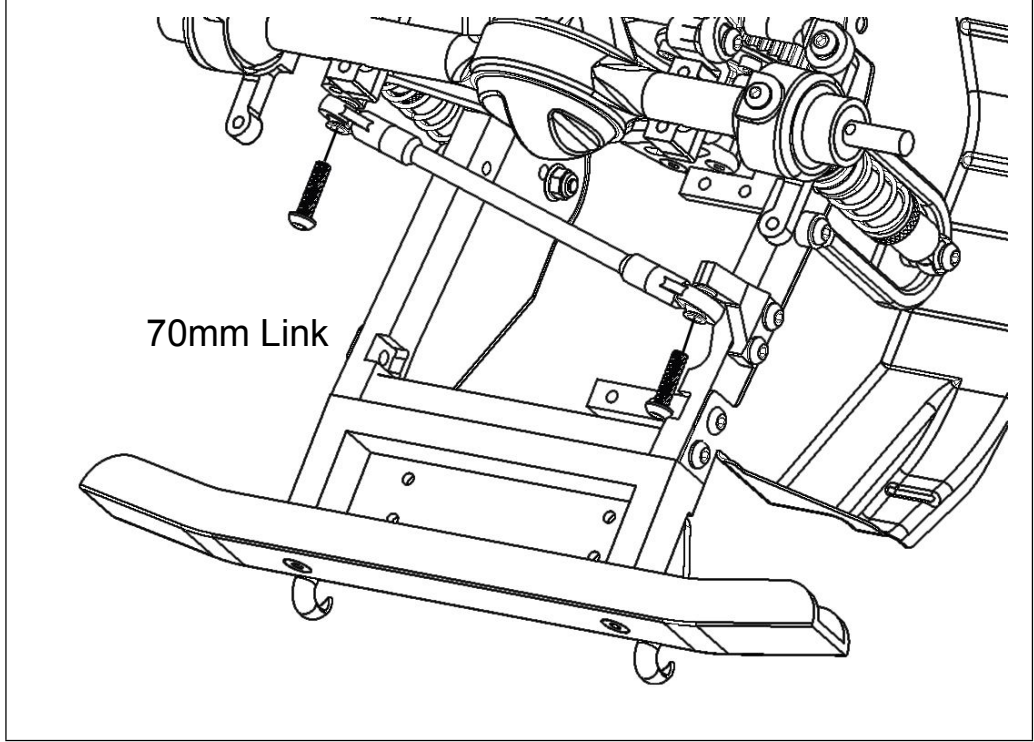
Thread Lock

Z-S0654



M3X12

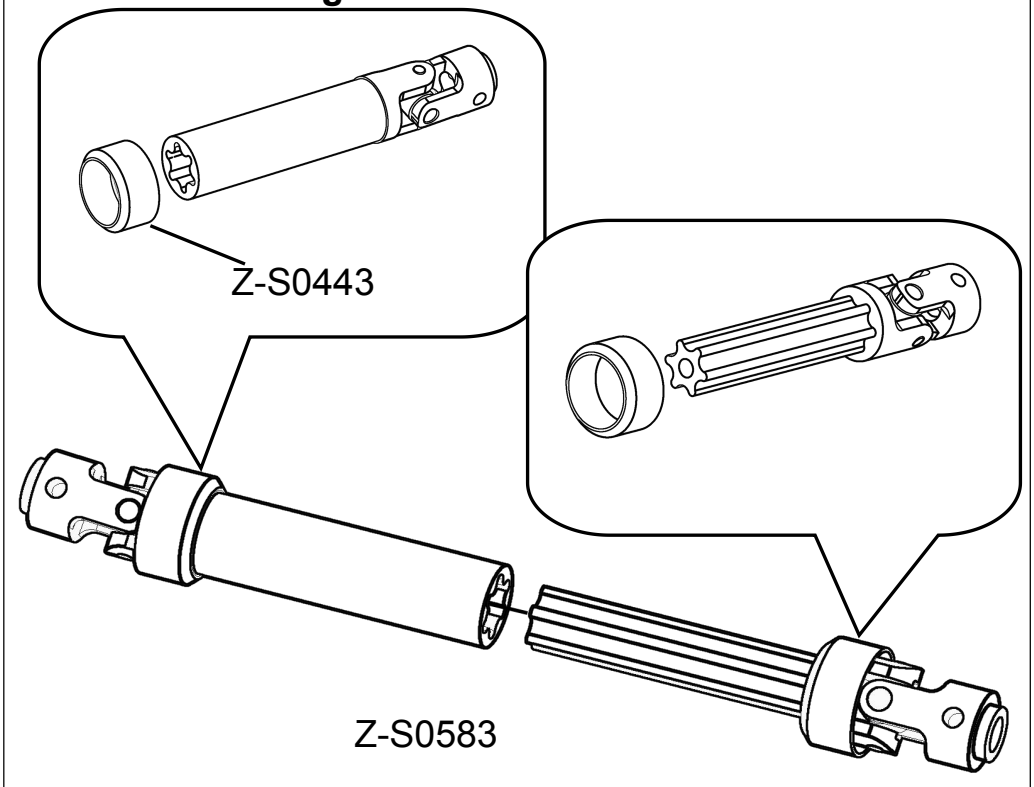
Assembly 40



70mm Link

Assembly 41

Fit drive shaft rings



Z-S0443

Z-S0583



Thread Lock

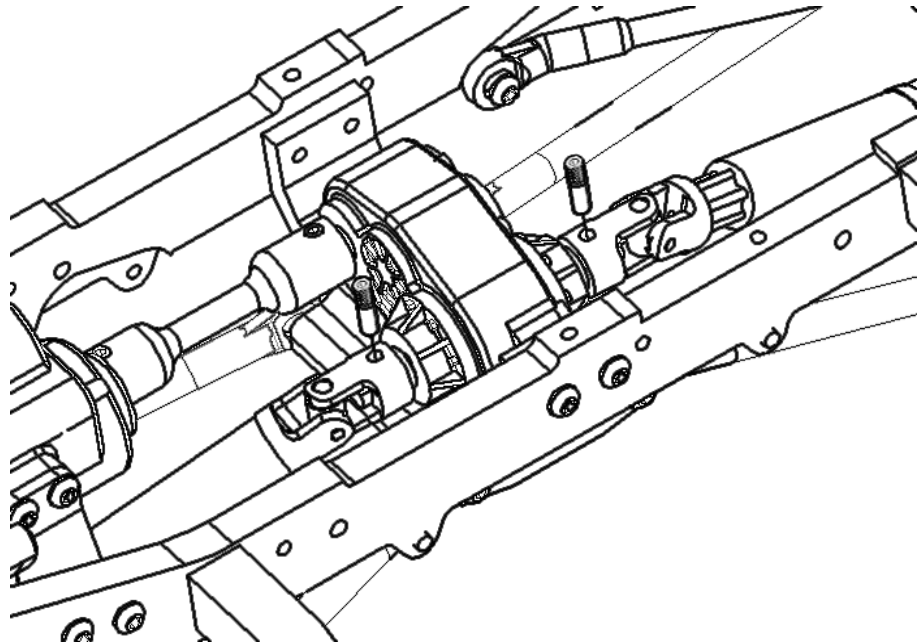
Z-S0804

M3 Driveshaft

Screw Pin

Assembly 42

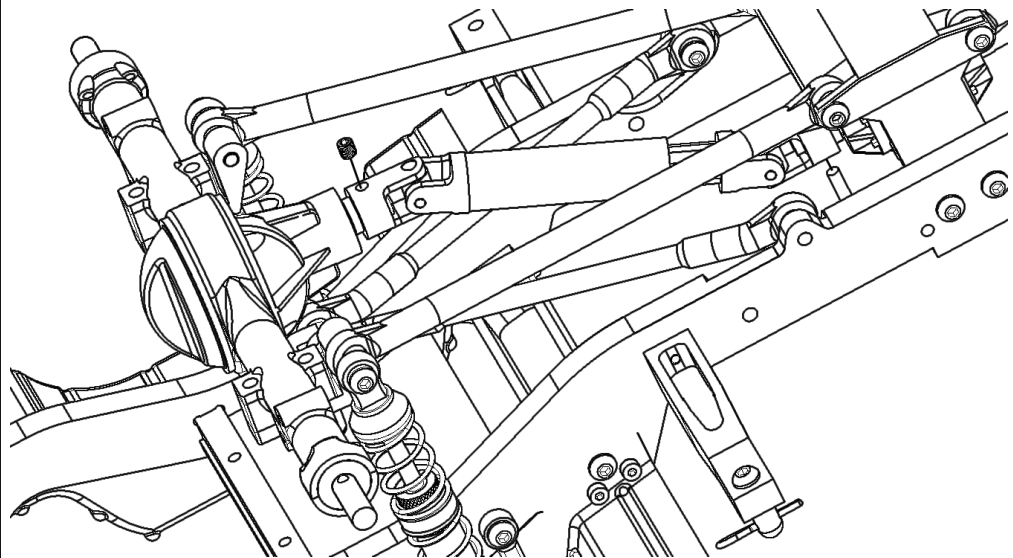
Fit both front and rear drive shafts



Thread Lock

Z-S0125
M3X5

Assembly 43





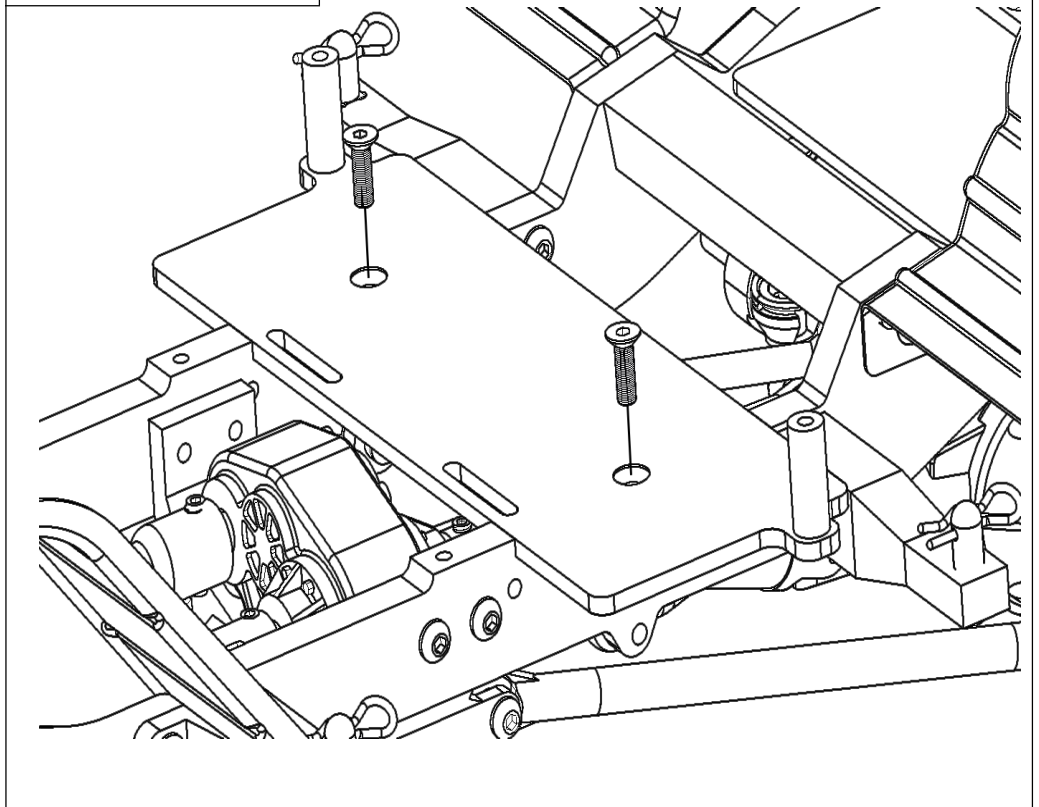
Thread Lock

Z-S0649



M3X8

Assembly 44



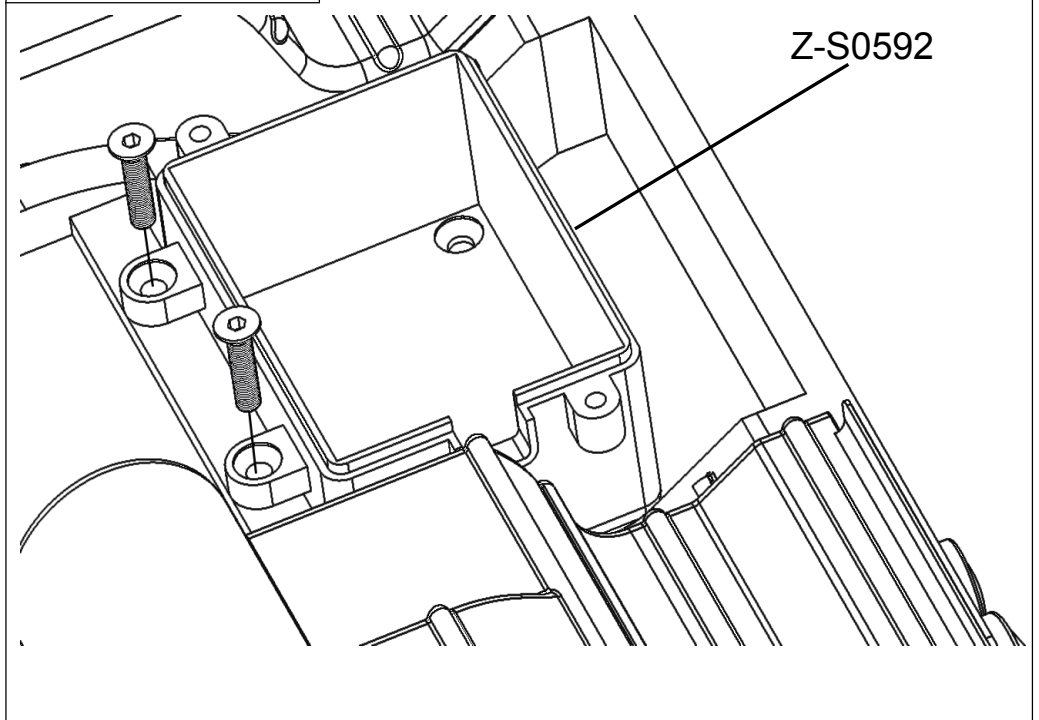
Thread Lock

Z-S0860

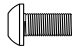


M3X10

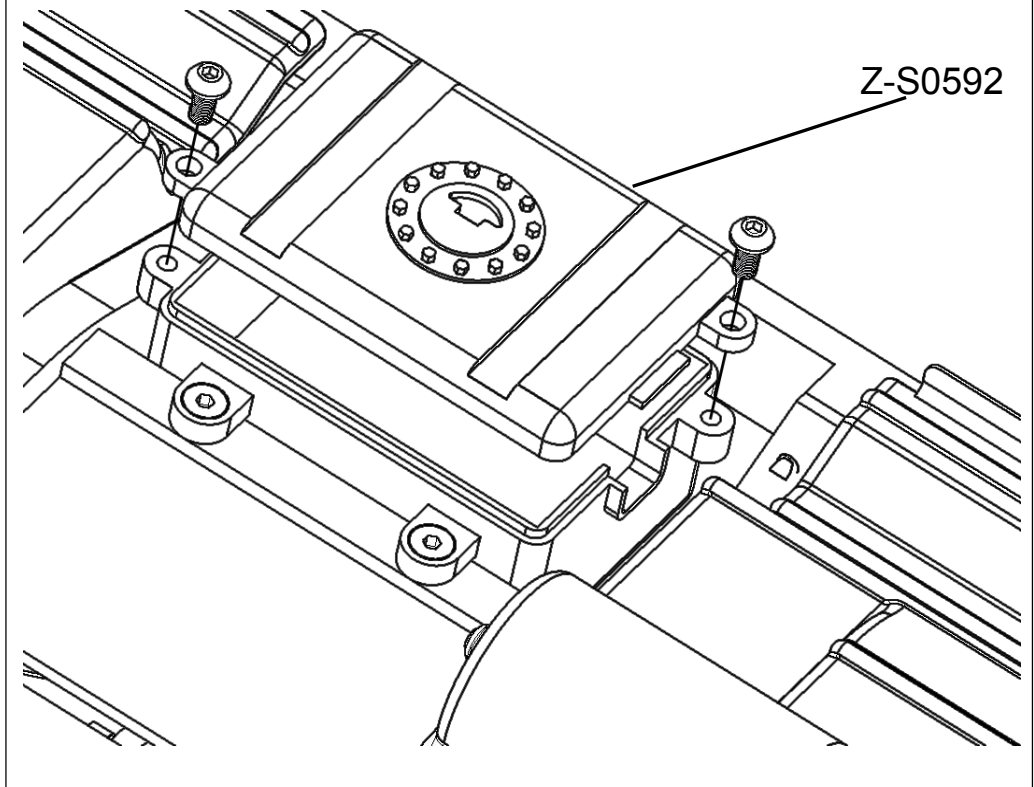
Assembly 45





Z-S0651 
M3X6

Assembly 46

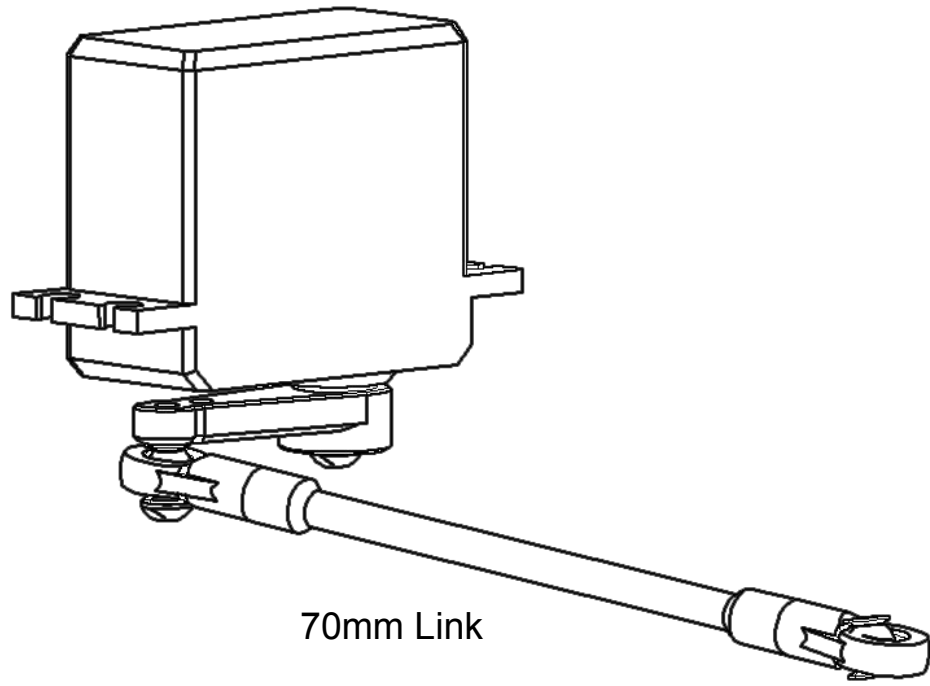


Thread Lock

Assembly 47

Note: Servo and servo horn are not included in this kit.

Z-S0653 
M3X10



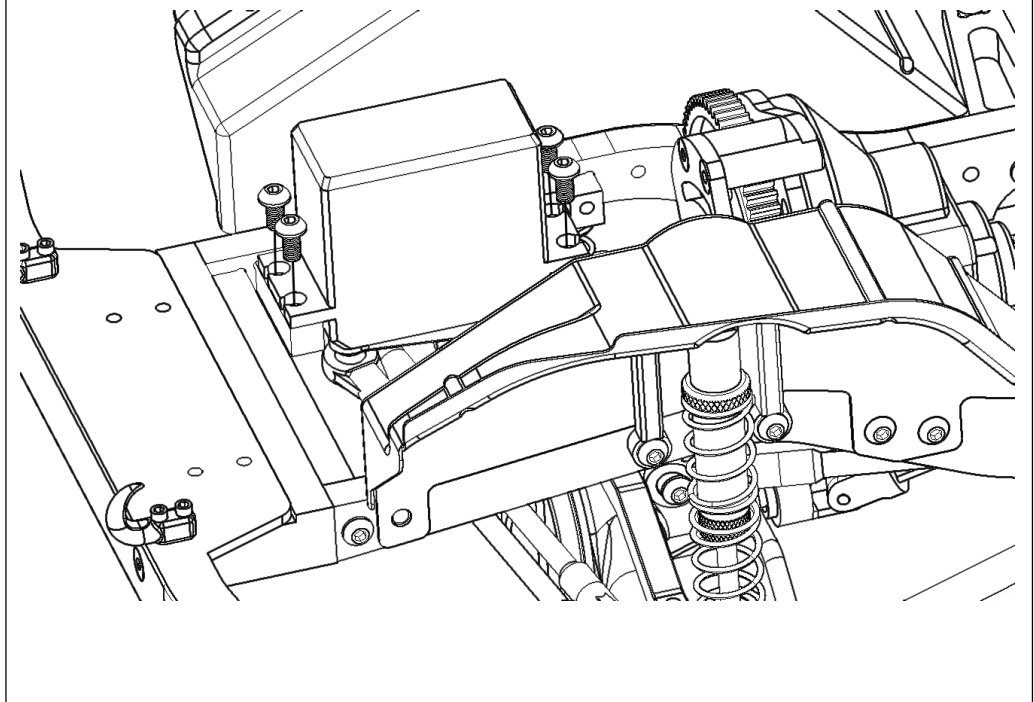


Thread Lock

Z-S0651

M3X6

Assembly 48



Thread Lock

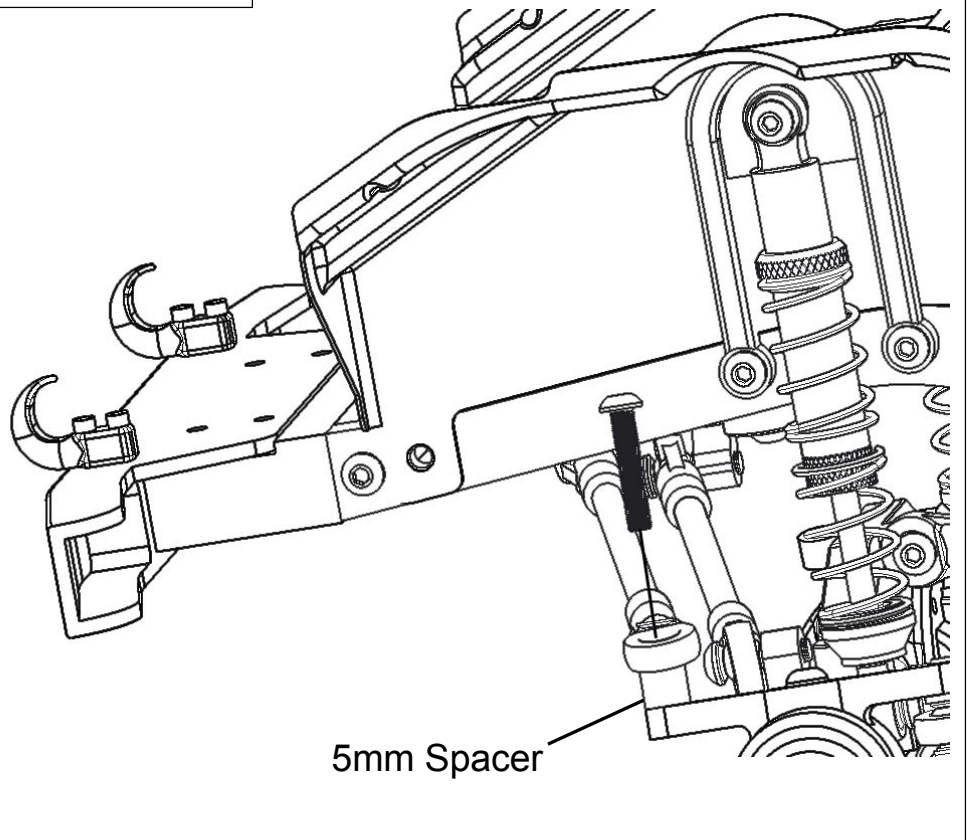
Z-S0656

M3X16

Z-S0821

5mm Spacer

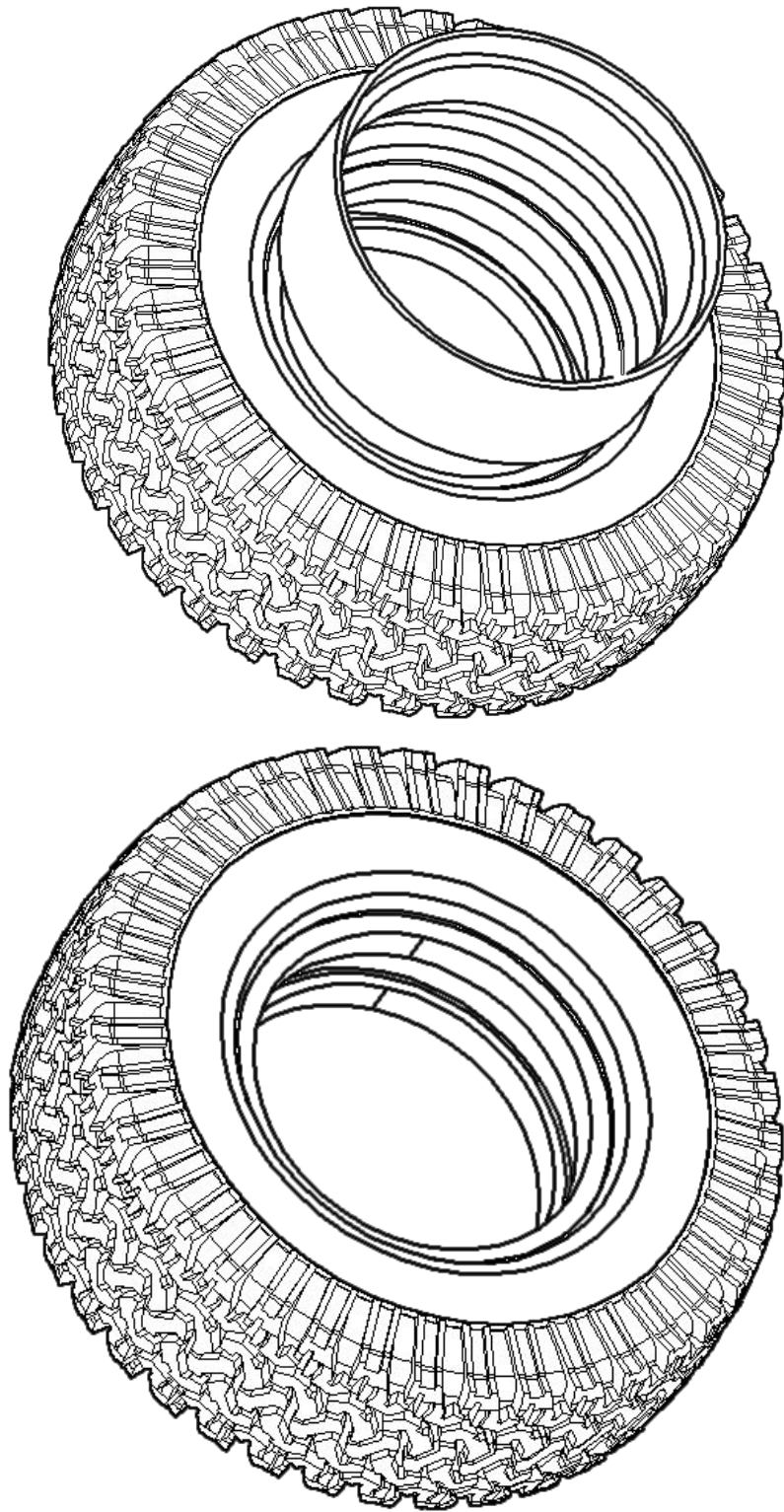
Assembly 49





Assembly 50

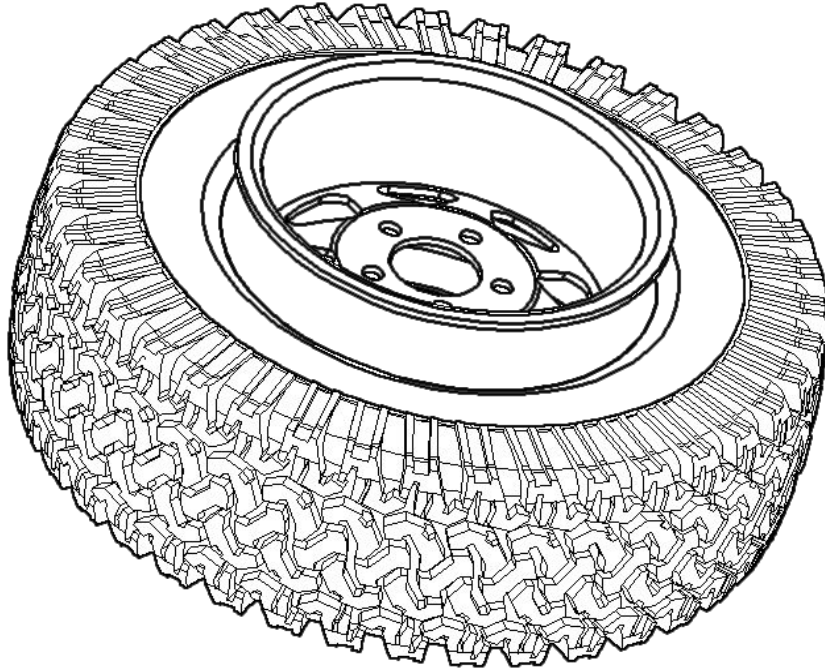
Insert the ring inside the tire



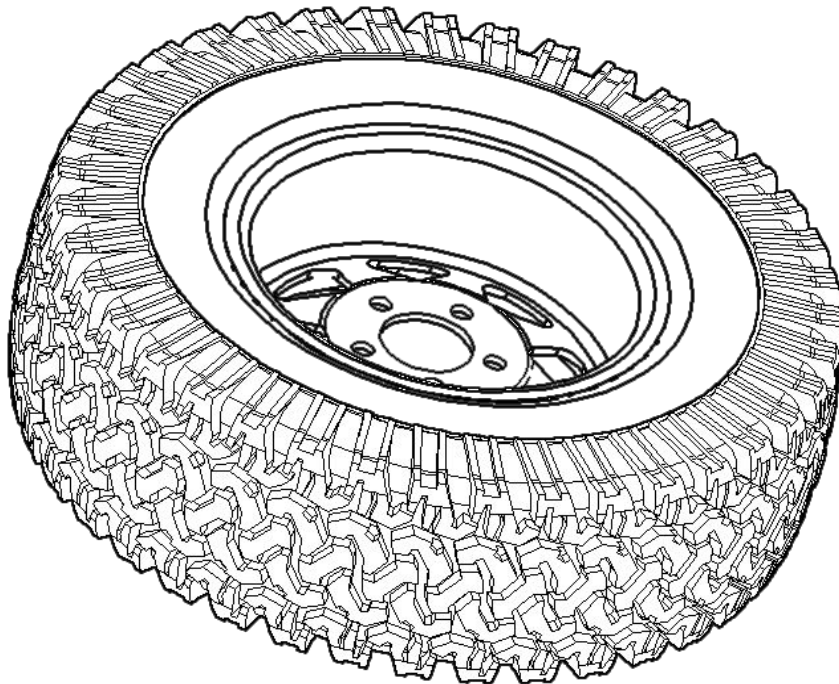


Assembly 51

Place the rear wheel half inside the ring



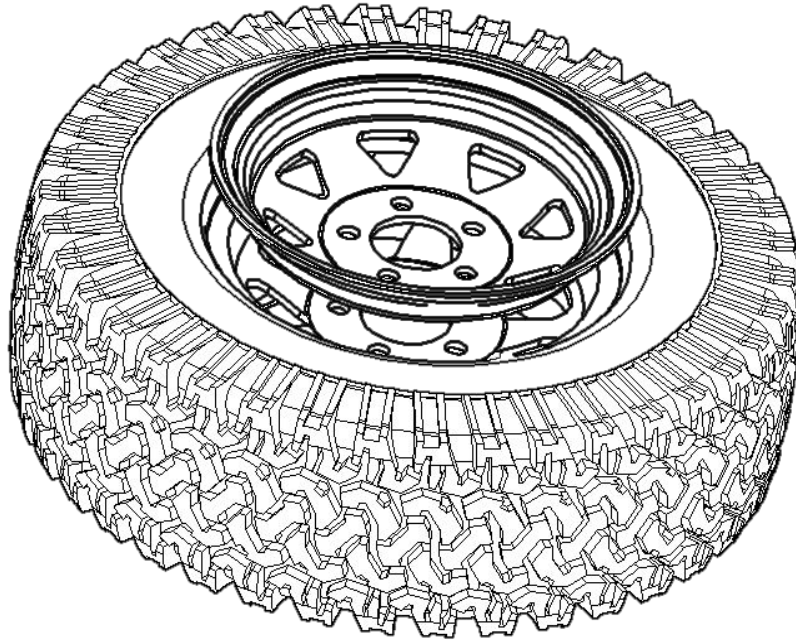
Ensure that the tire bead is evenly captured in the wheel rim. The tire may need to be pulled out a little to make it sit properly.



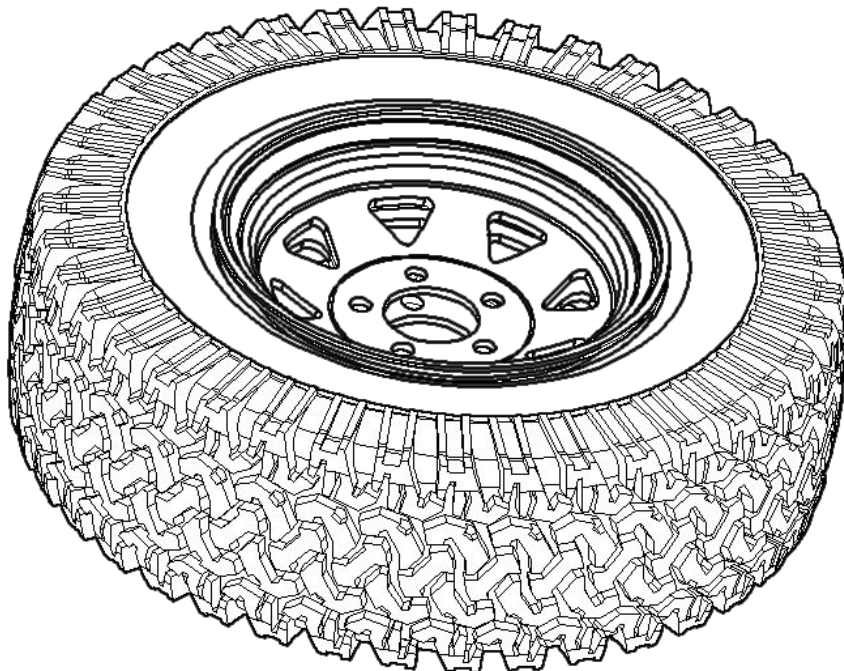


Assembly 52


Place the front wheel half inside the ring. Ensure that the wheel design is aligned front and rear.



Ensure that the tire bead is evenly captured in the wheel rim. The tire may need to be pulled out a little to make it sit properly.

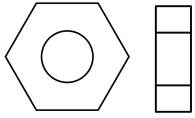




Z-S1380 

M2.5x12

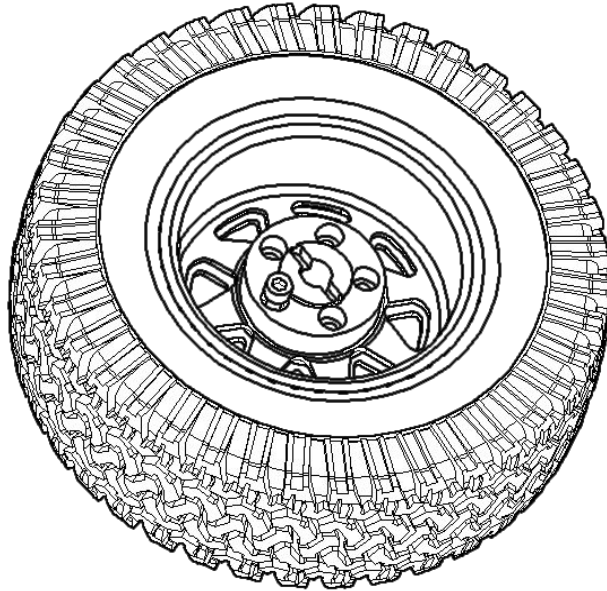
Z-S0303



M2.5 Nut

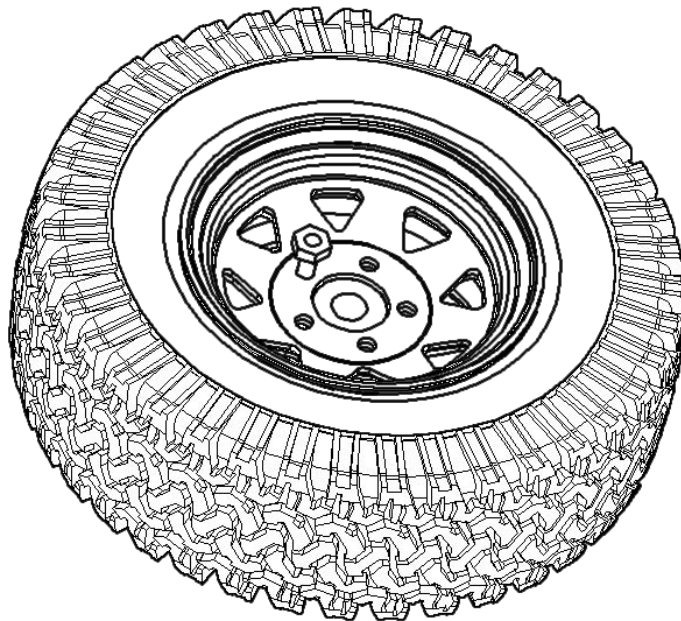
Assembly 53

Place the wheel hub on the rear of the wheel and insert a long bolt (M2.5 x 12mm) through the wheel




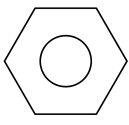
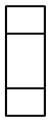
Ensure that the tire bead is evenly captured in the wheel rim.

The tire may need to be pulled out a little to make it sit properly.



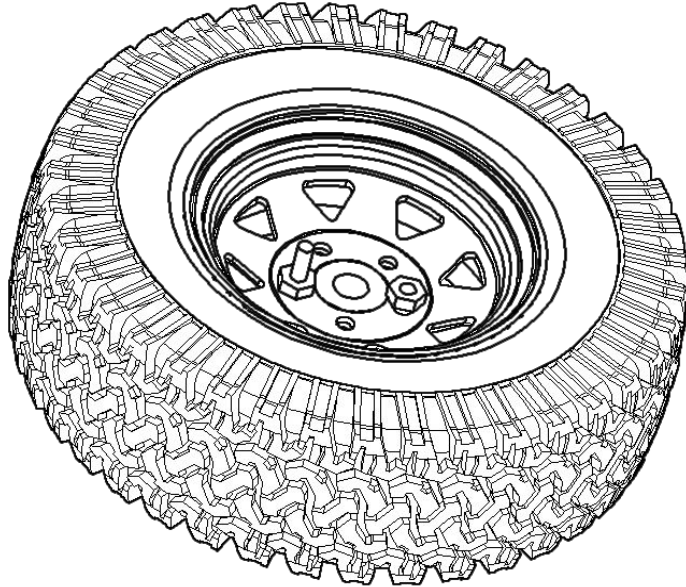



Z-S1380 
M2.5X12

Z-S0303  
M2.5 Nut

Assembly 54

Place the wheel hub on the rear of the wheel and insert a long bolt (M2.5 x 12mm) through the wheel

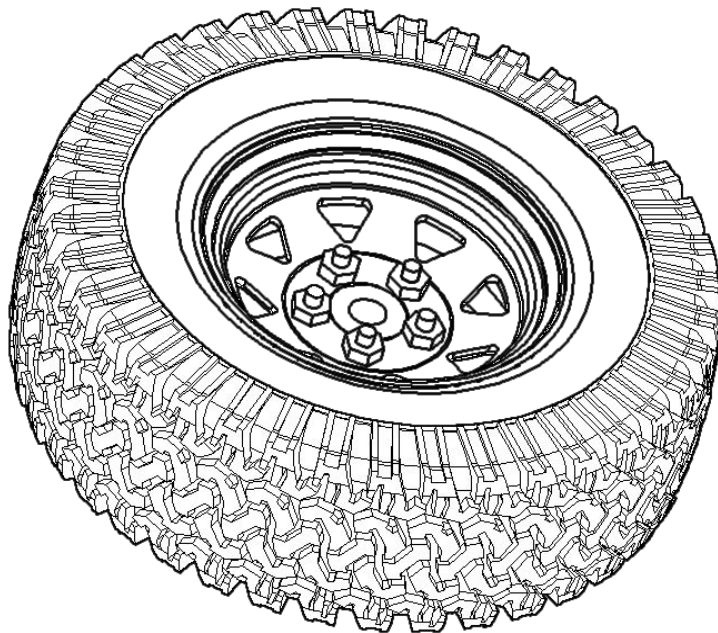


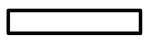
Z-S0829 
M2.5X8

Z-S0303  
M2.5 Nut

Assembly 55

Fit all of the remaining bolts and nuts. Swap the long bolt that was fitted for the shorter bolt

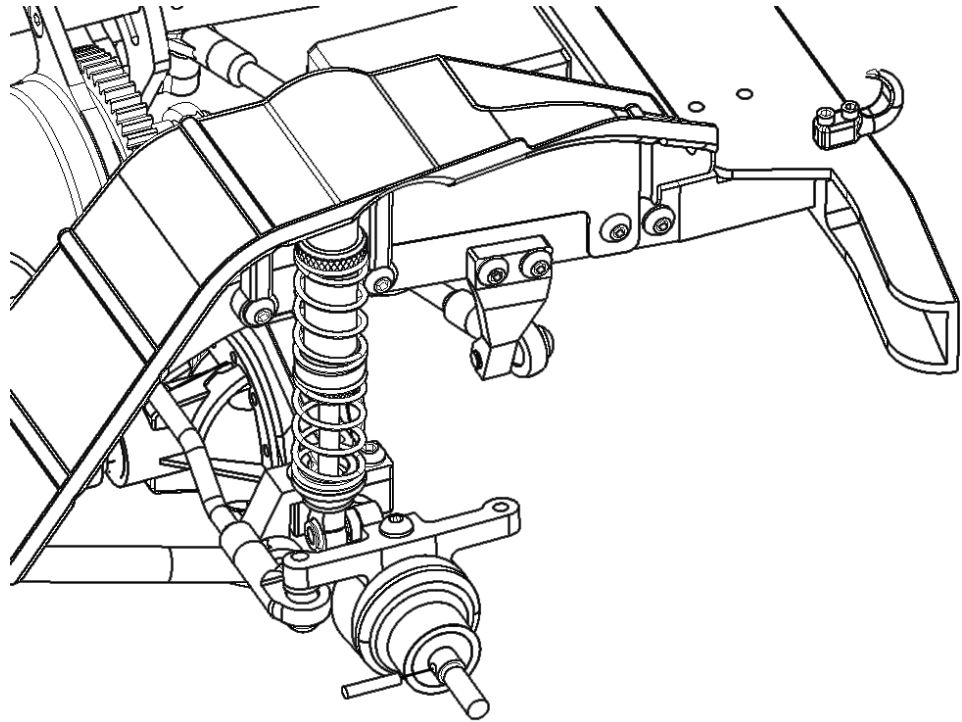




2mm Pin

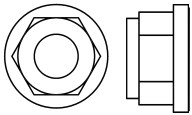
Assembly 56

Fit all four wheels

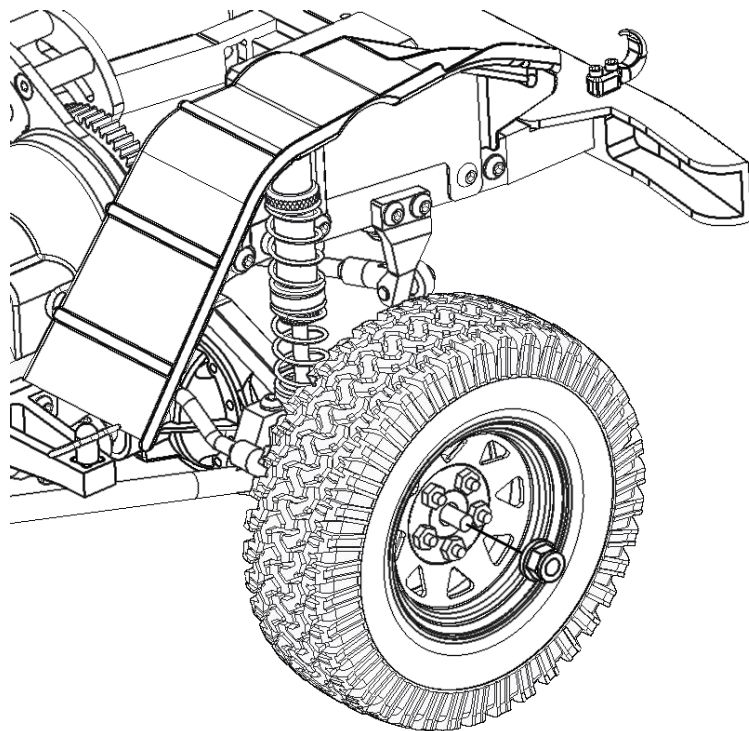


Assembly 57

Z-S1265

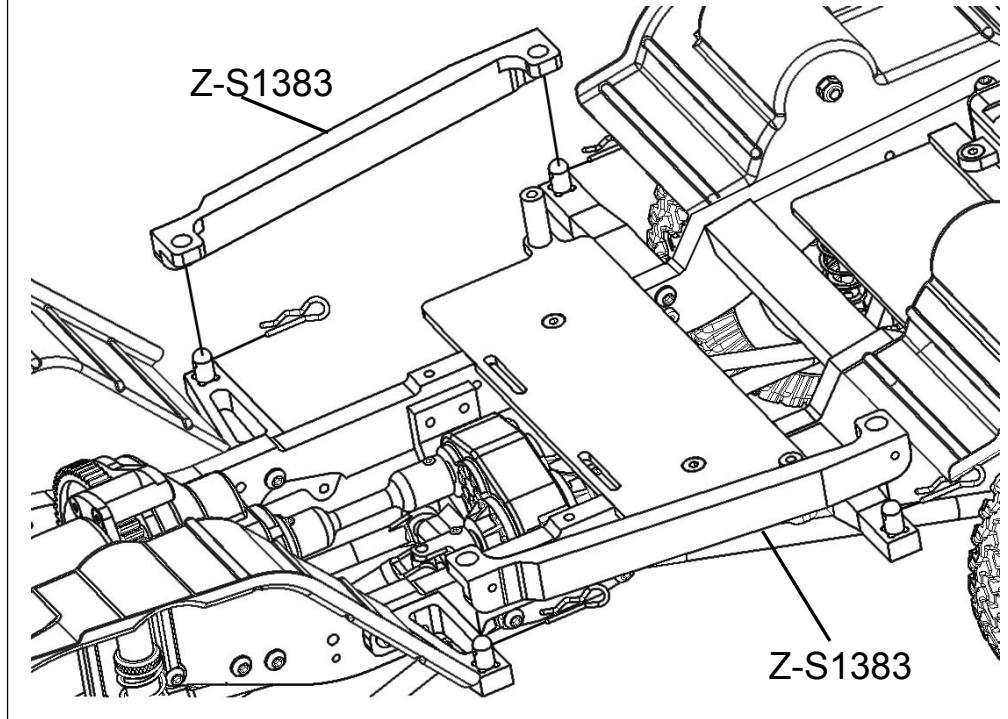



M4 Nut





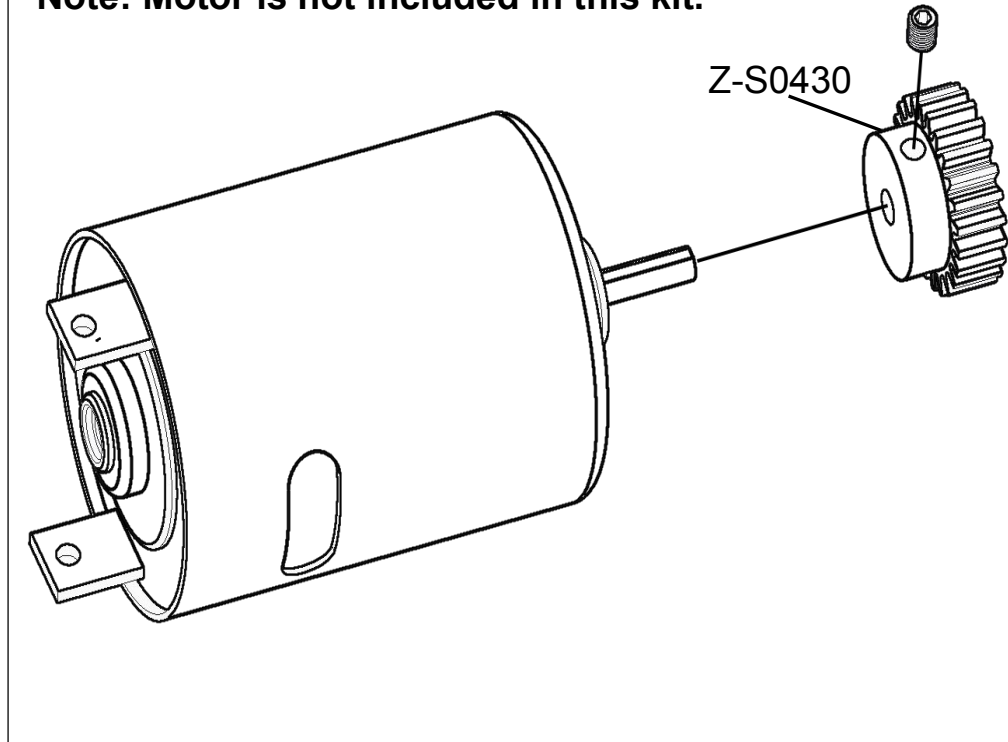
Assembly 58



Z-S0125 
M3X5

Assembly 59

Note: Motor is not included in this kit.



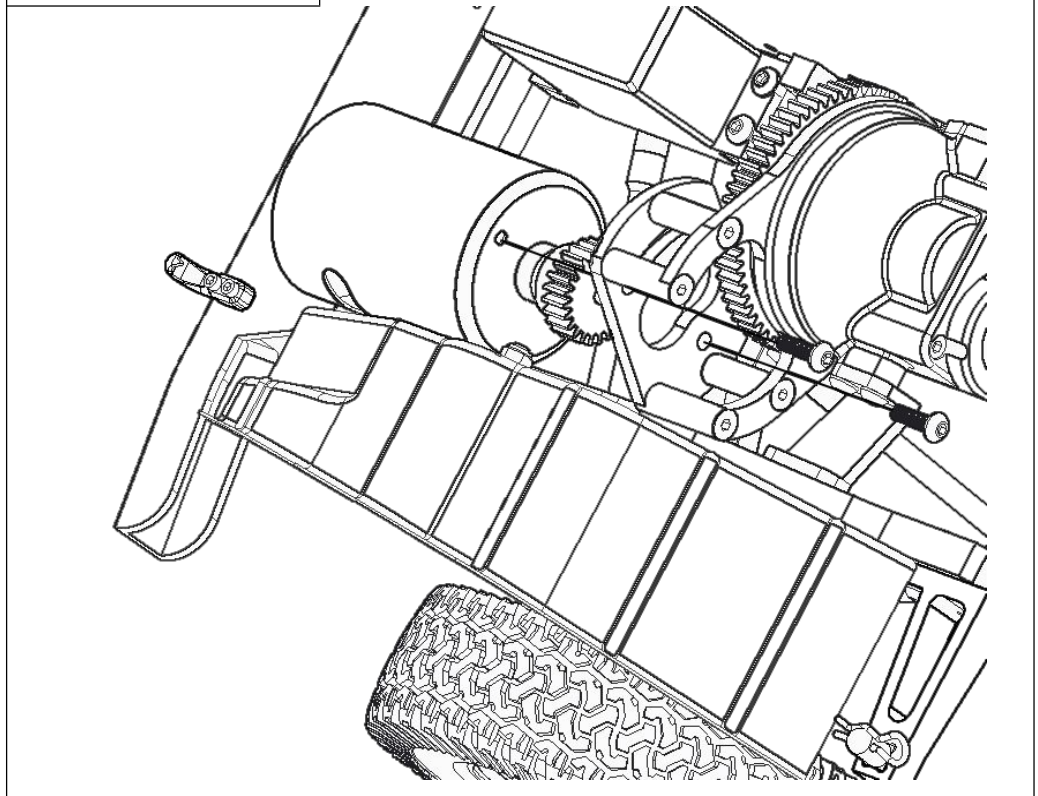


Z-S0651



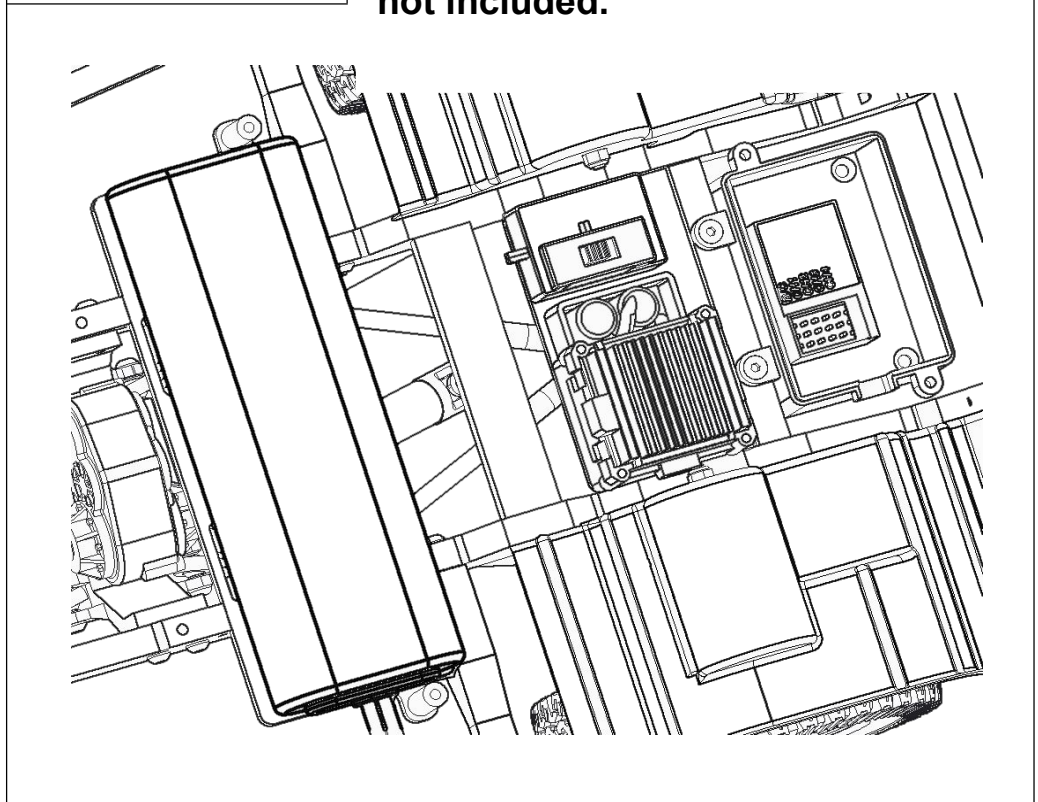
M3X6

Assembly 60



Assembly 61

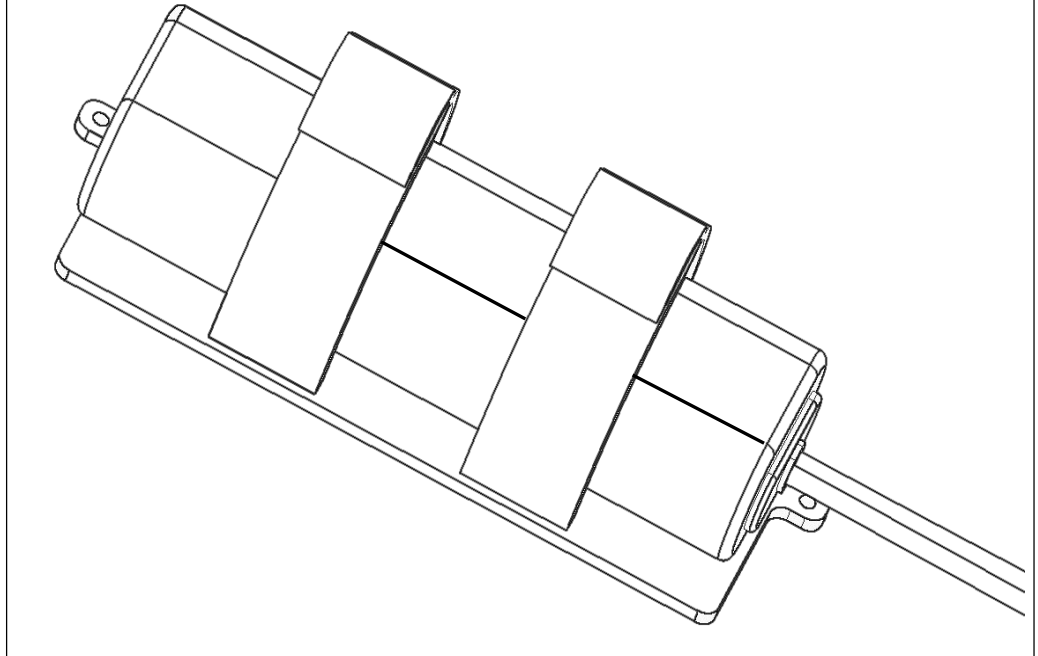
Note: Battery, ESC and Receiver are not included.





Assembly 62

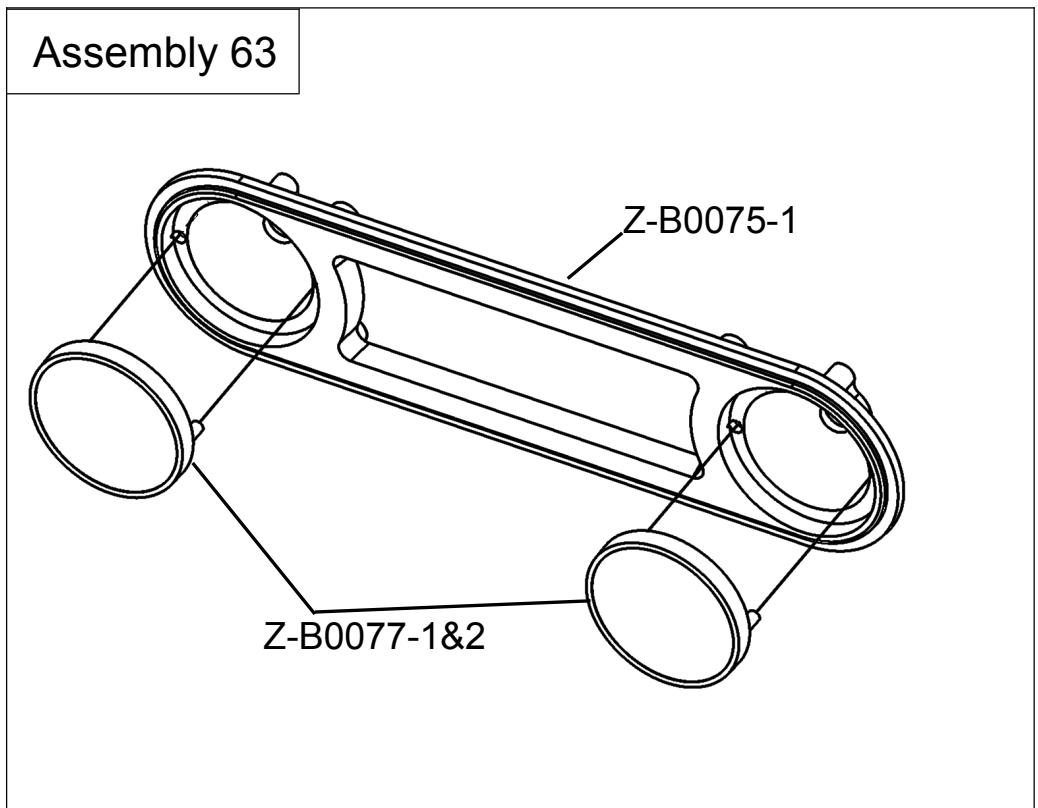
Note: Use Heavy Duty Nylon for Strap Lock to stable the Battery.



Assembly 63



Plastic
cement/glue



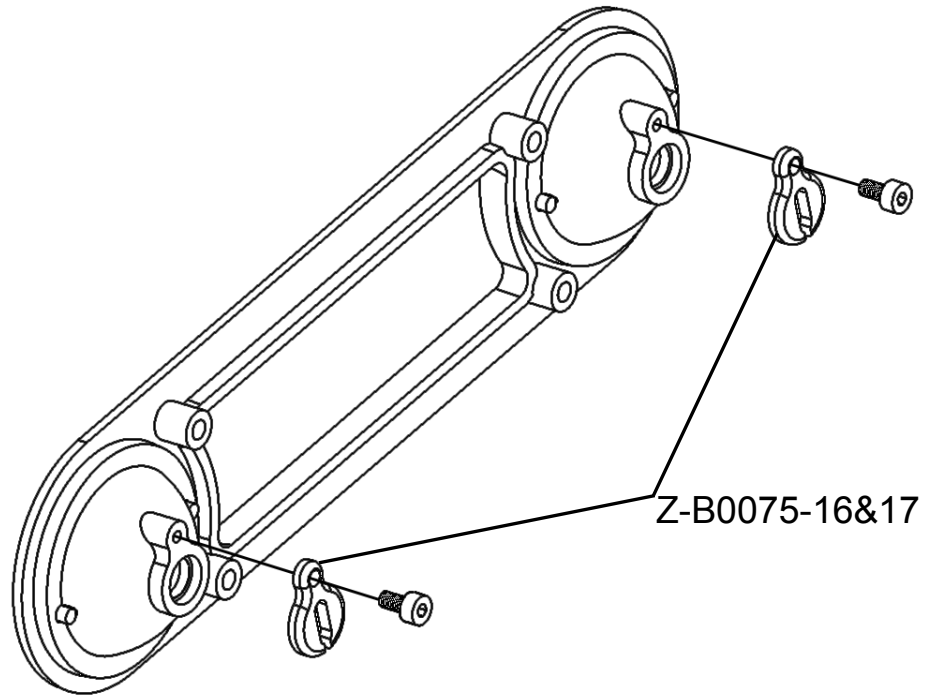


Z-S1253

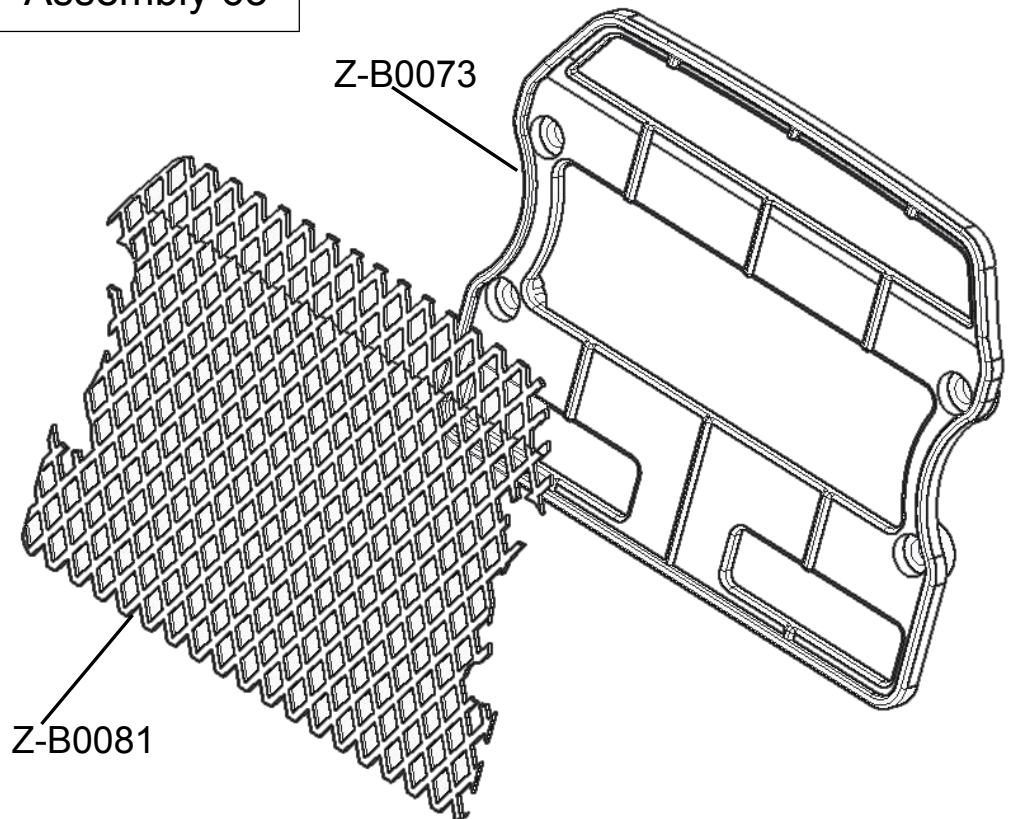


M1.6X5

Assembly 64



Assembly 65



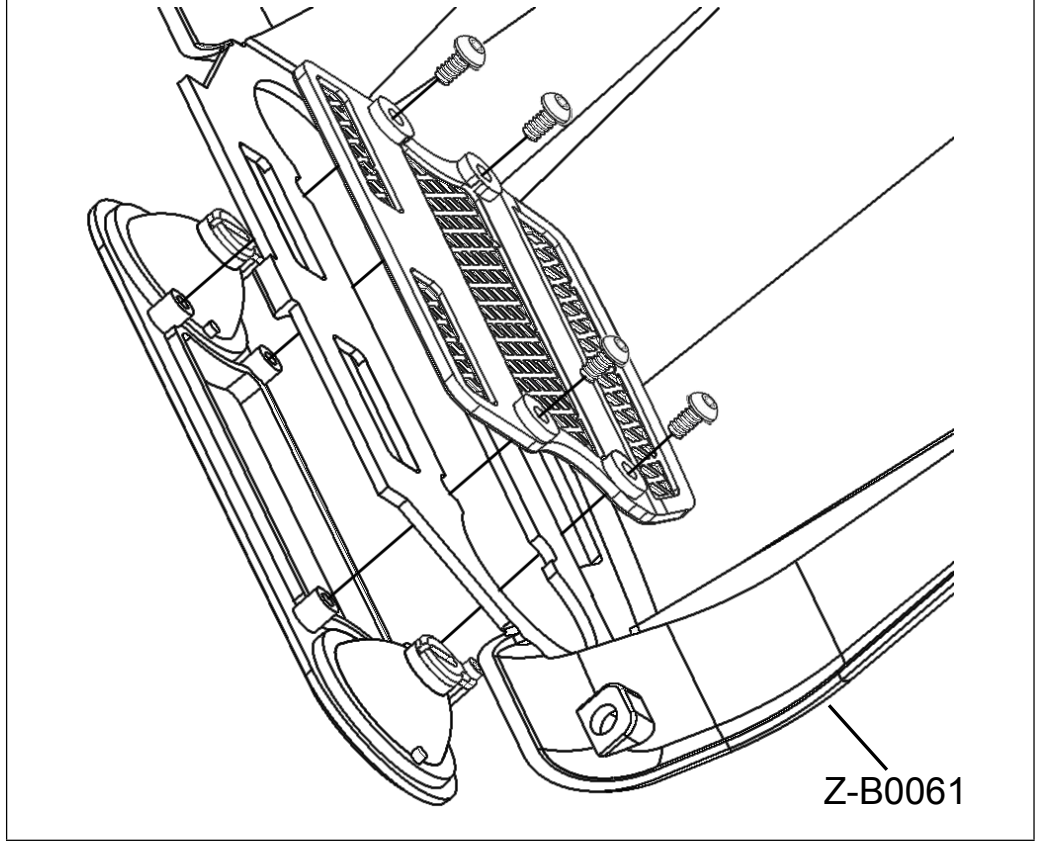


Z-S0651

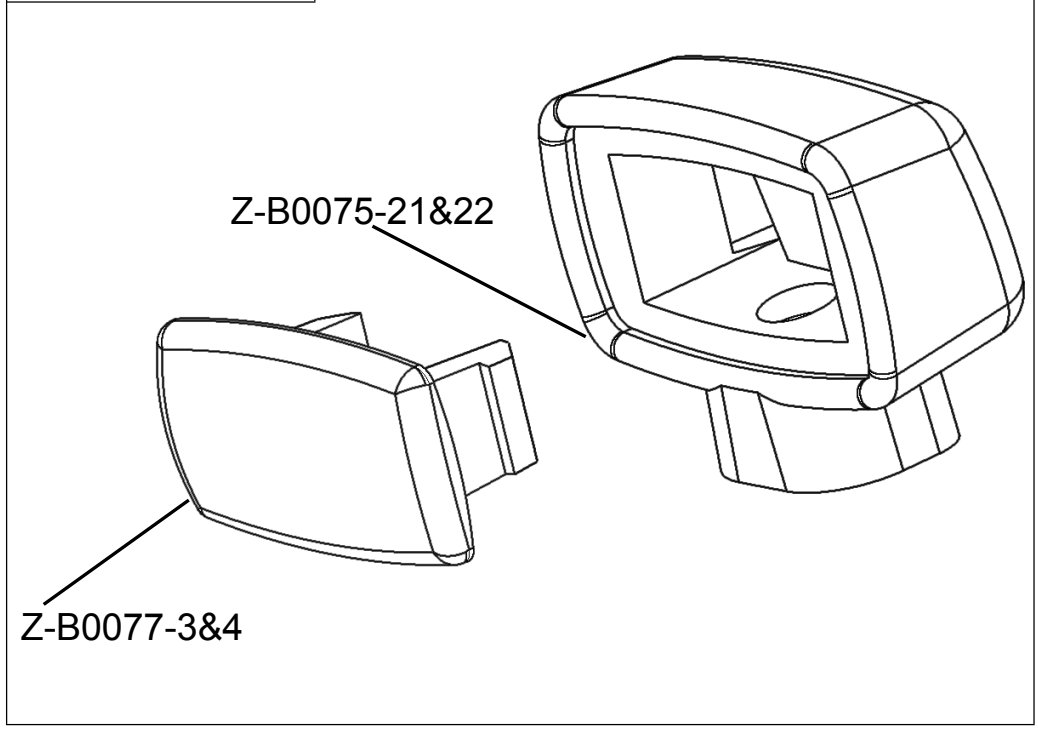


M3X6

Assembly 66

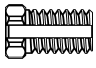


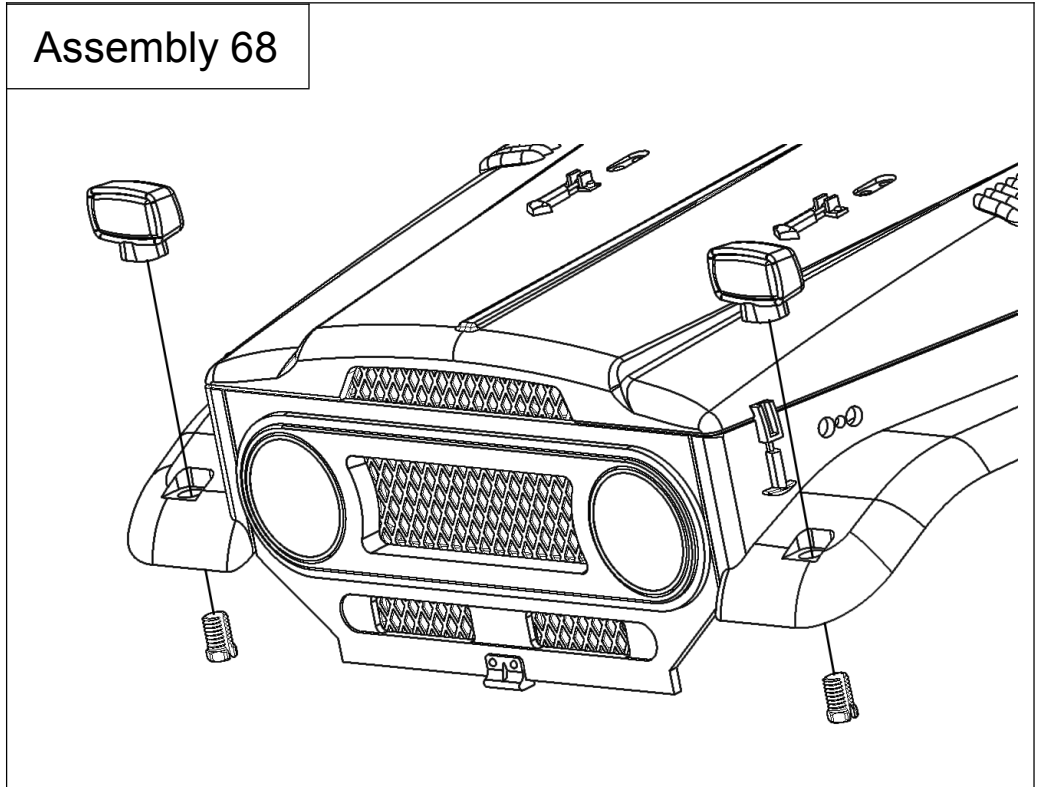
Assembly 67





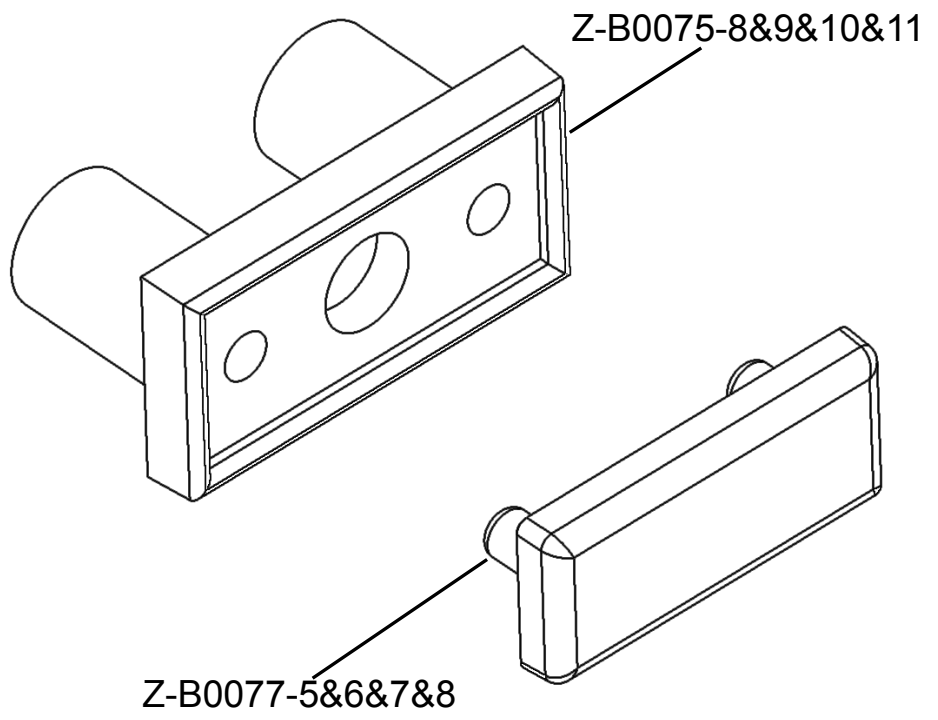
Assembly 68

Z-S0083 
M5X6.8



Plastic
cement/glue

Assembly 69



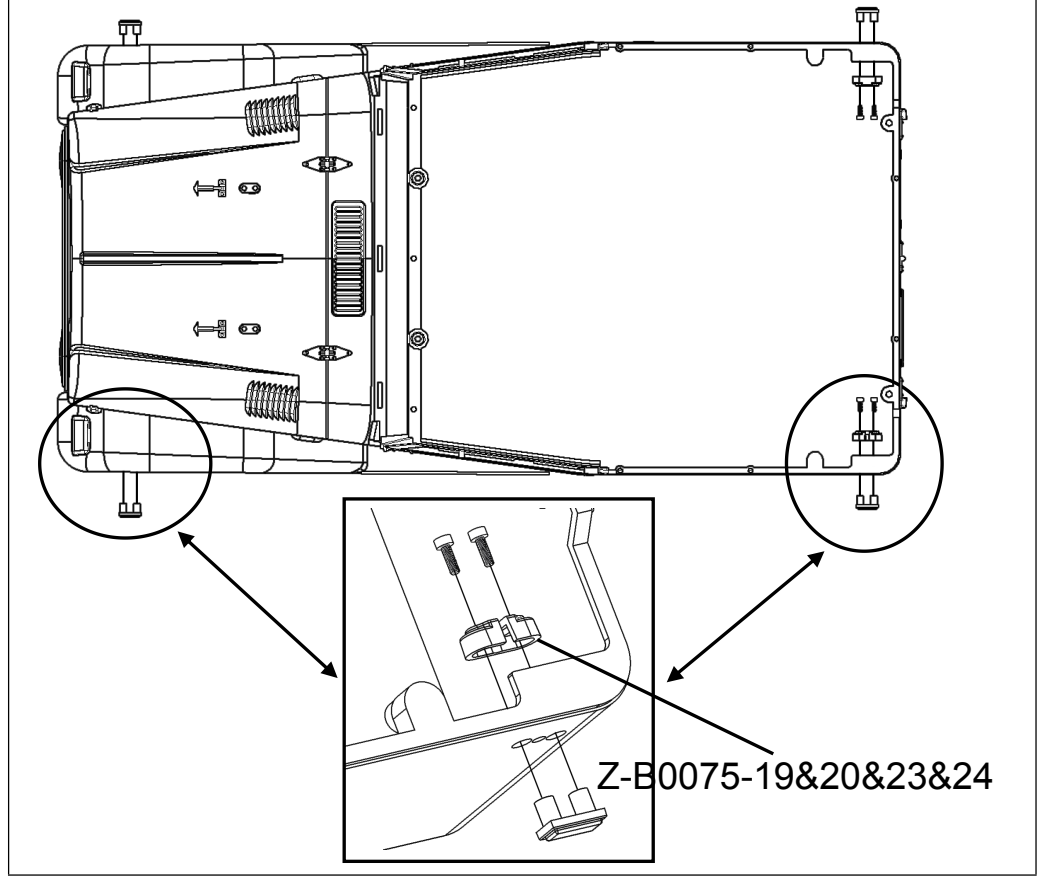


Z-S1253



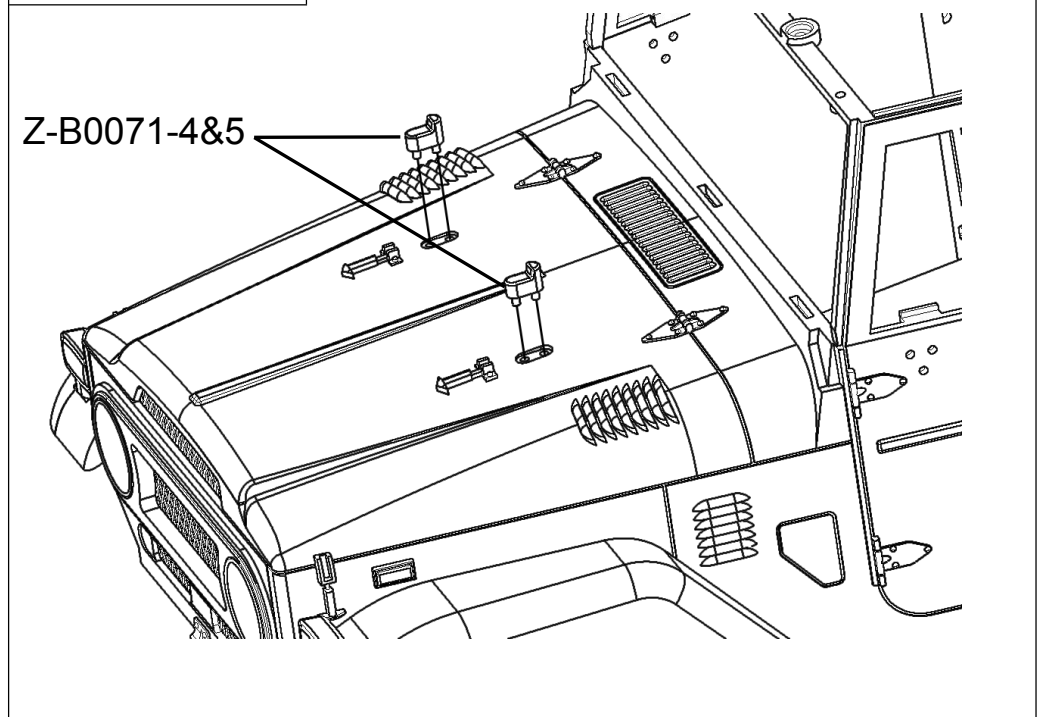
M1.6X5

Assembly 70



Plastic
cement/glue

Assembly 71

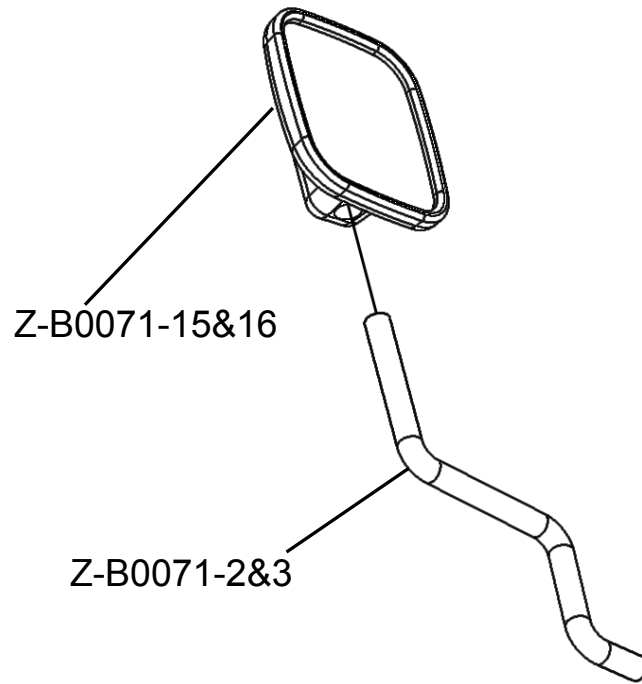




Assembly 72



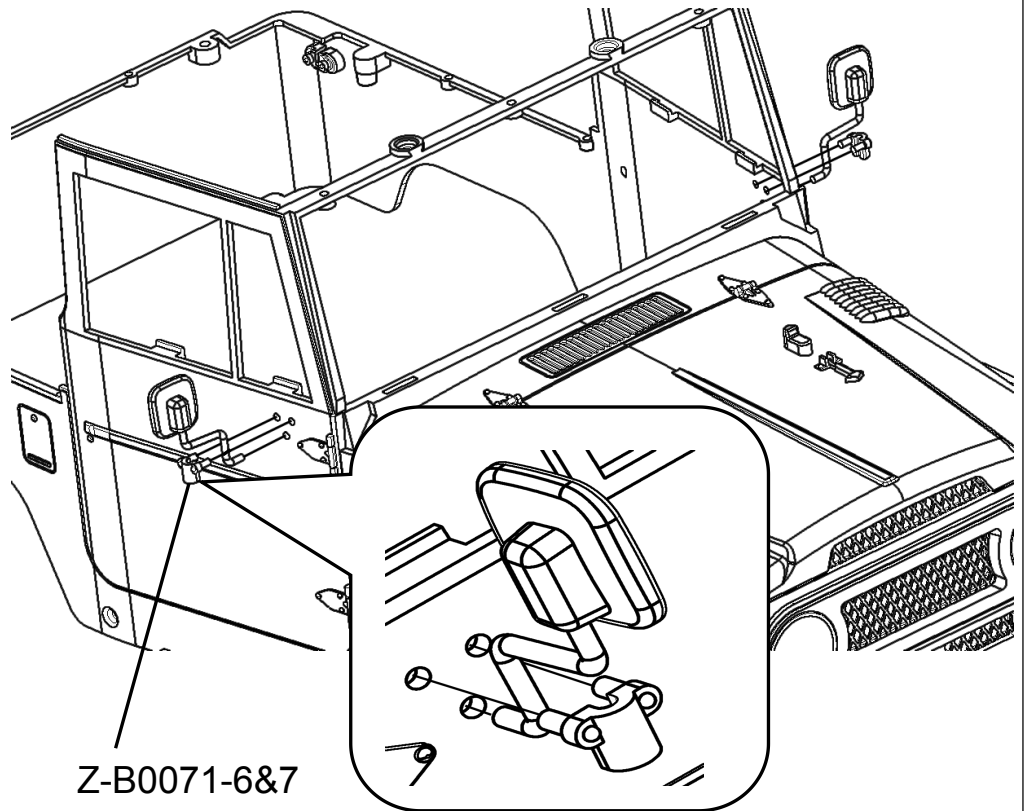
Plastic
cement/glue



Assembly 73



Plastic
cement/glue

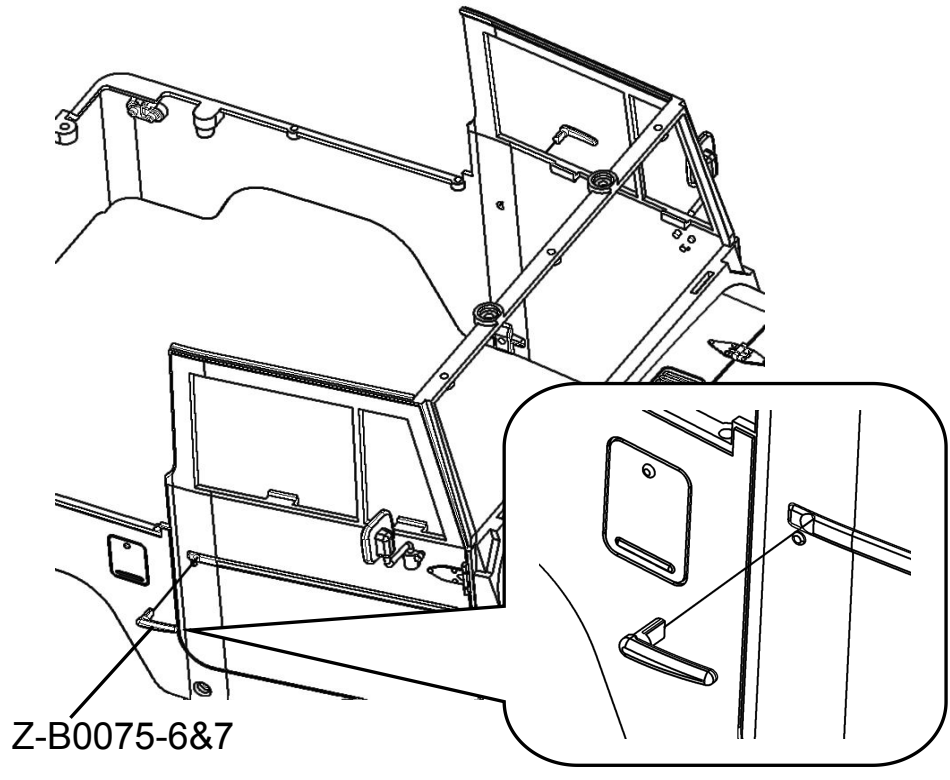




Assembly 74



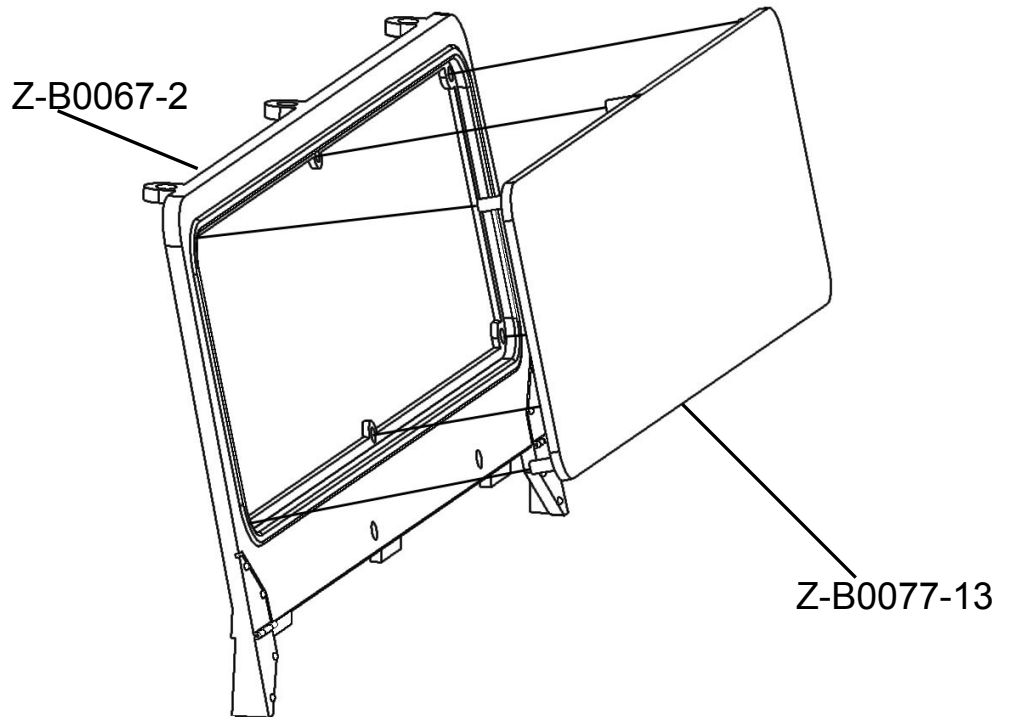
Plastic
cement/glue



Assembly 75



Plastic
cement/glue

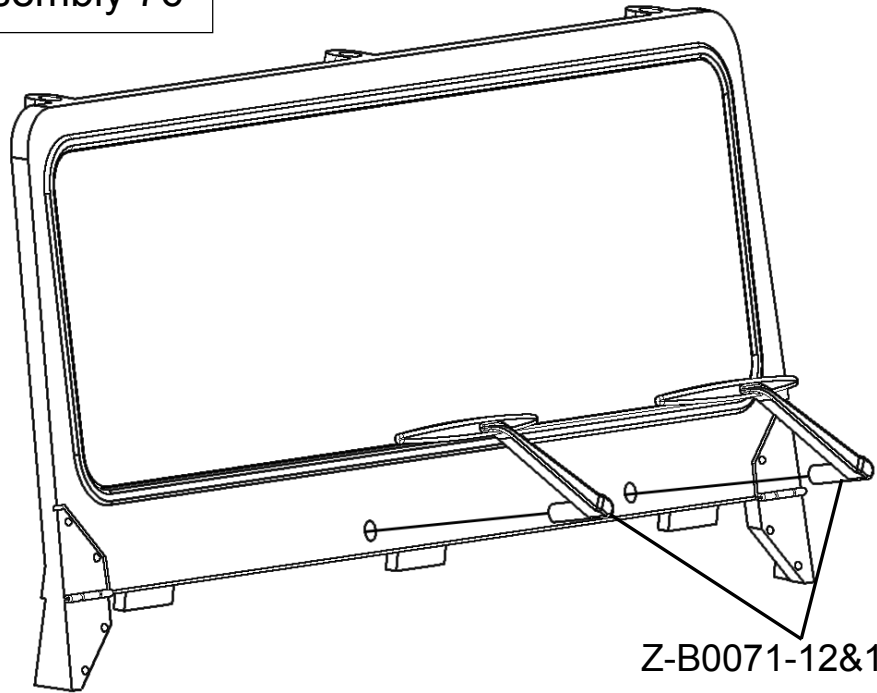





Assembly 76



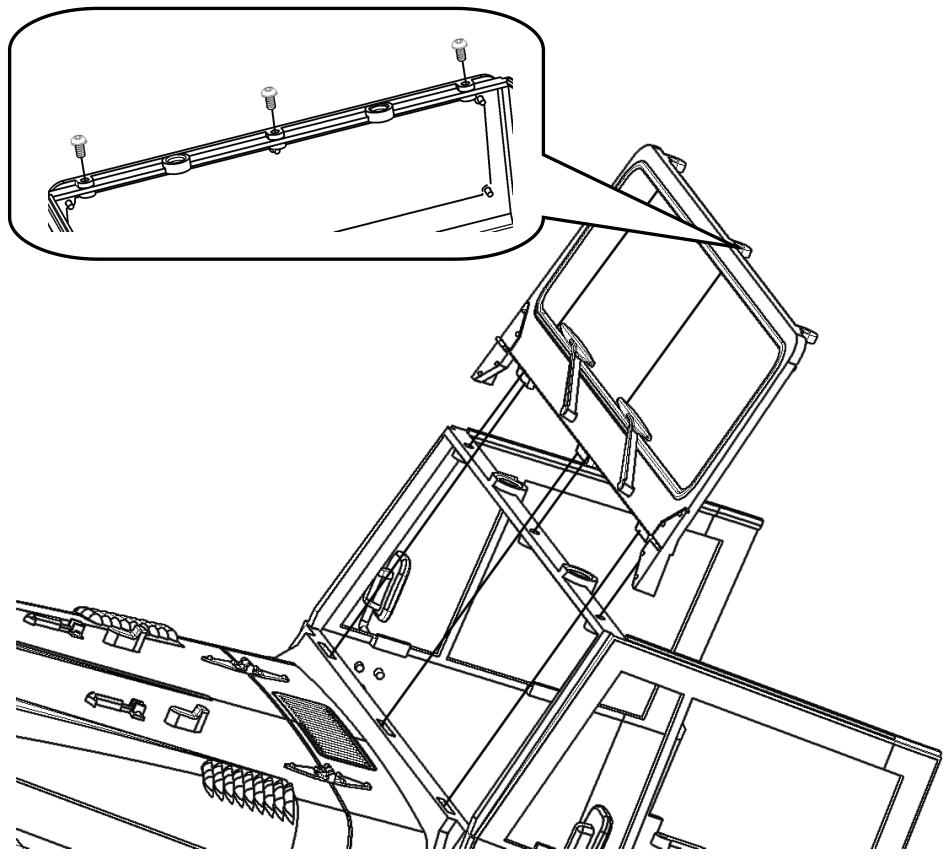
Plastic
cement/glue



Z-B0071-12&13

Z-S0651 
M3X6

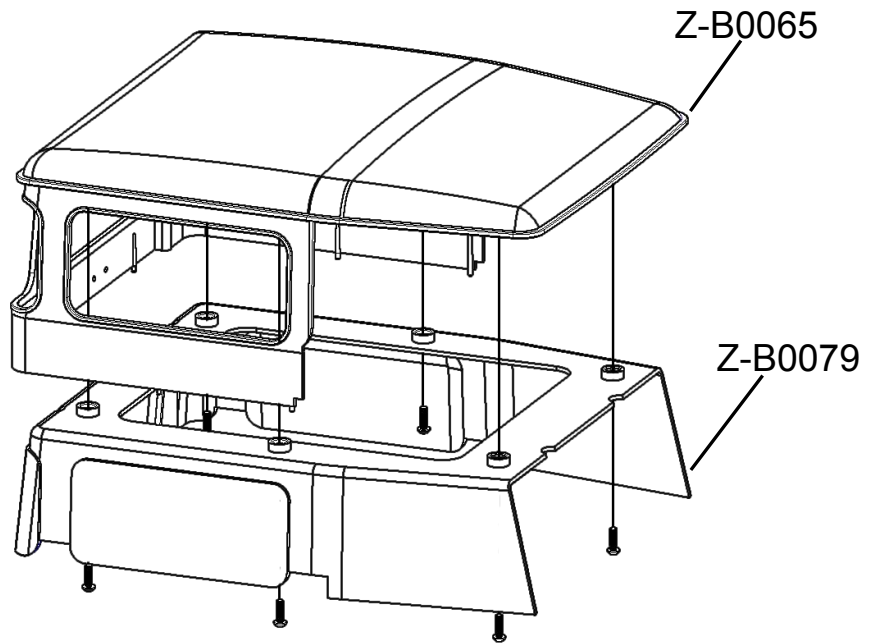
Assembly 77





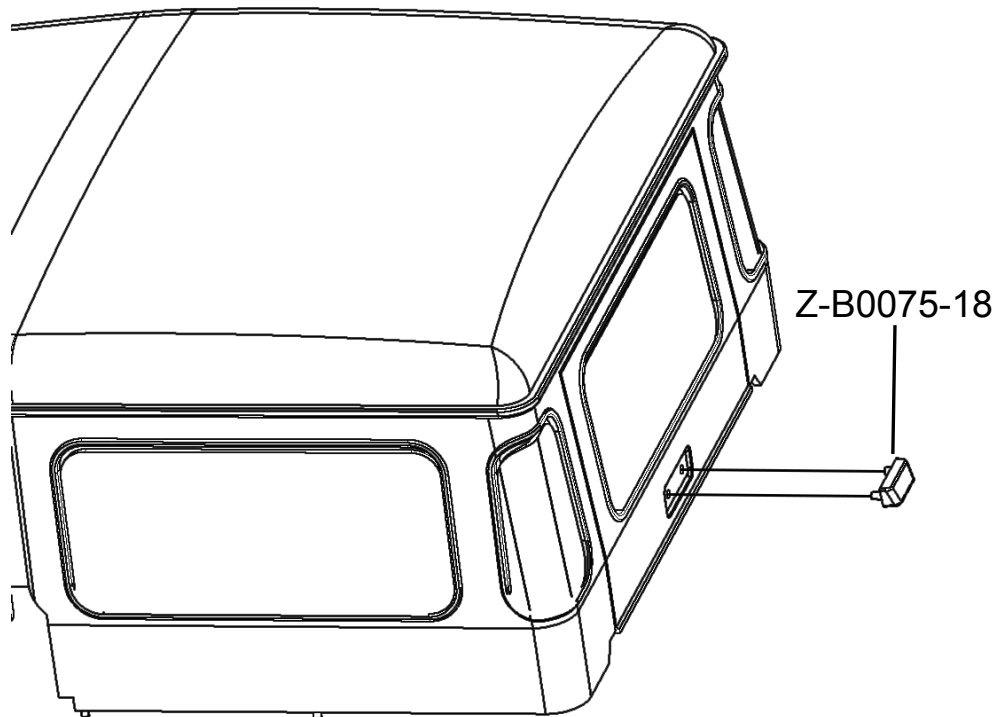
Z-S0653 
M3X10

Assembly 78



Plastic
cement/glue

Assembly 79



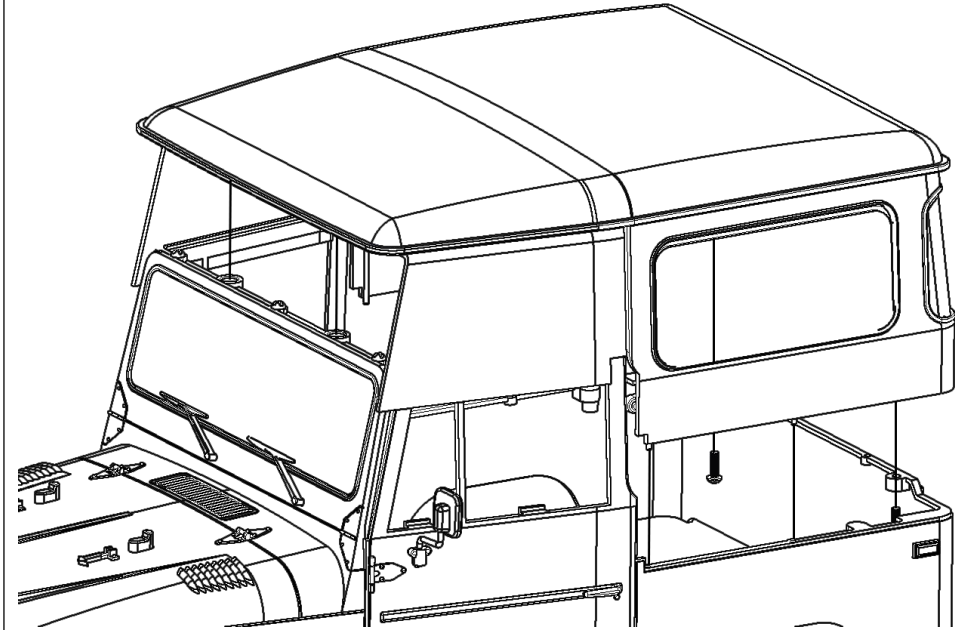


Z-S0653



M3X10

Assembly 80



Assembly 81



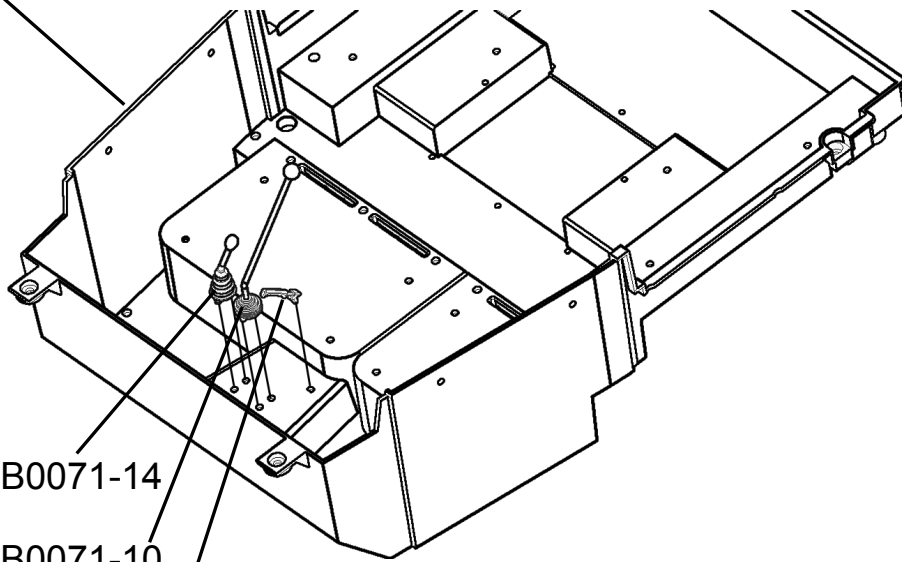
Plastic
cement/glue

Z-B0063

Z-B0071-14

Z-B0071-10

Z-B0071-11



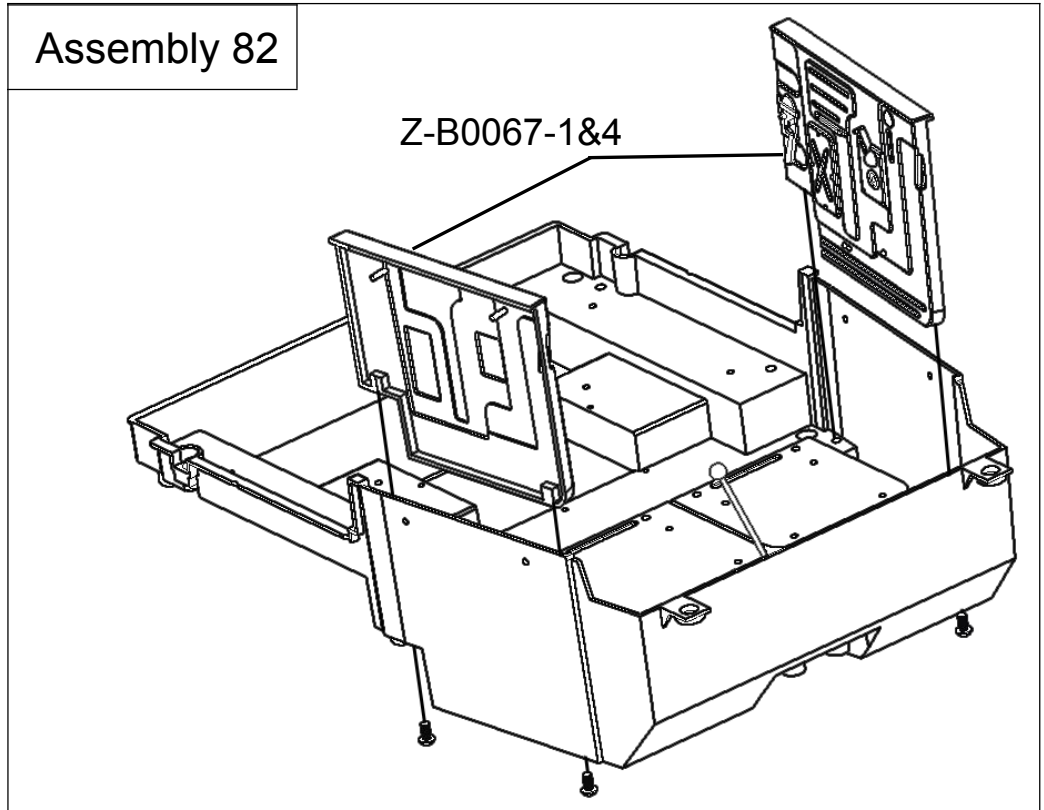


Z-S0764



M2.5X6

Assembly 82

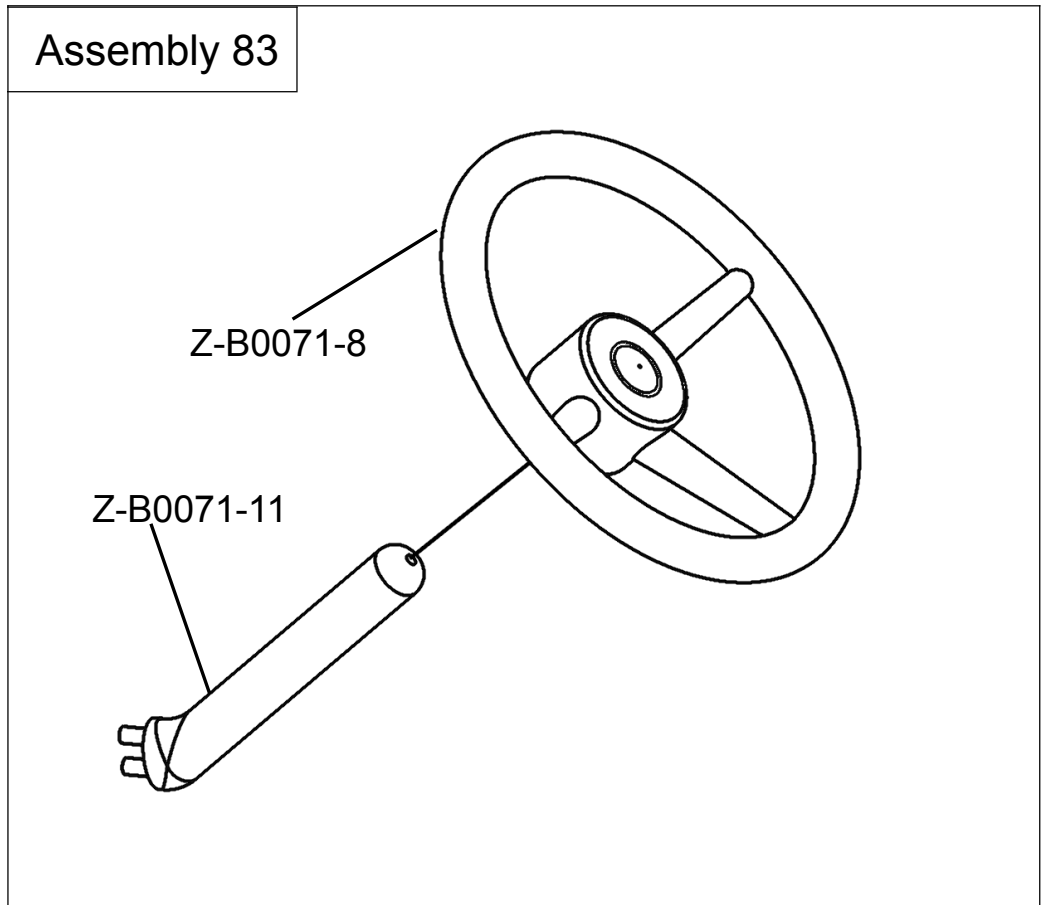


Z-B0067-1&4



Plastic
cement/glue

Assembly 83



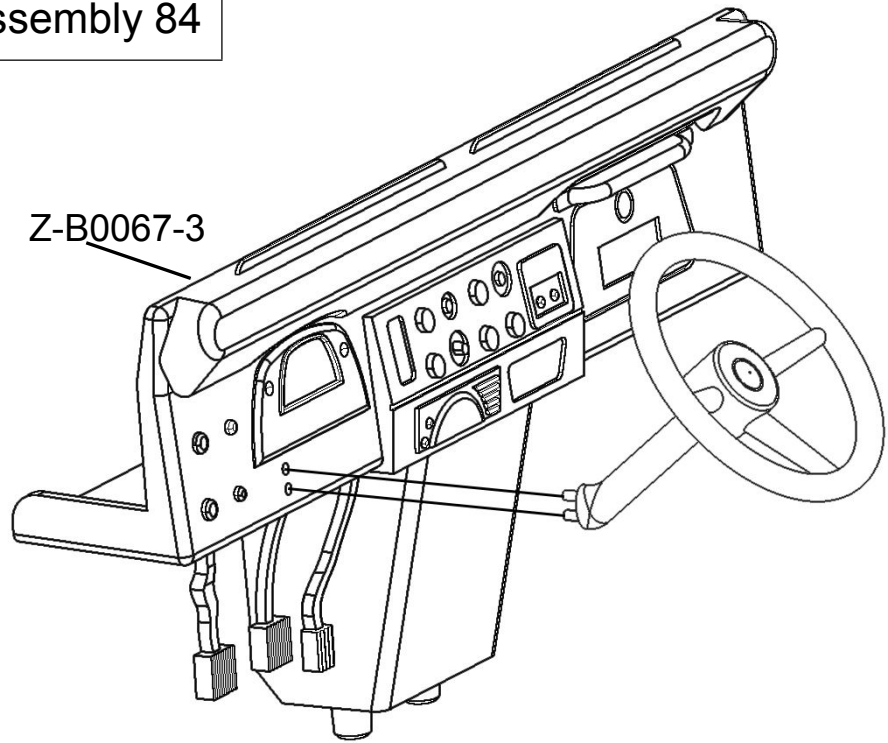
Z-B0071-8

Z-B0071-11



Plastic
cement/glue

Assembly 84

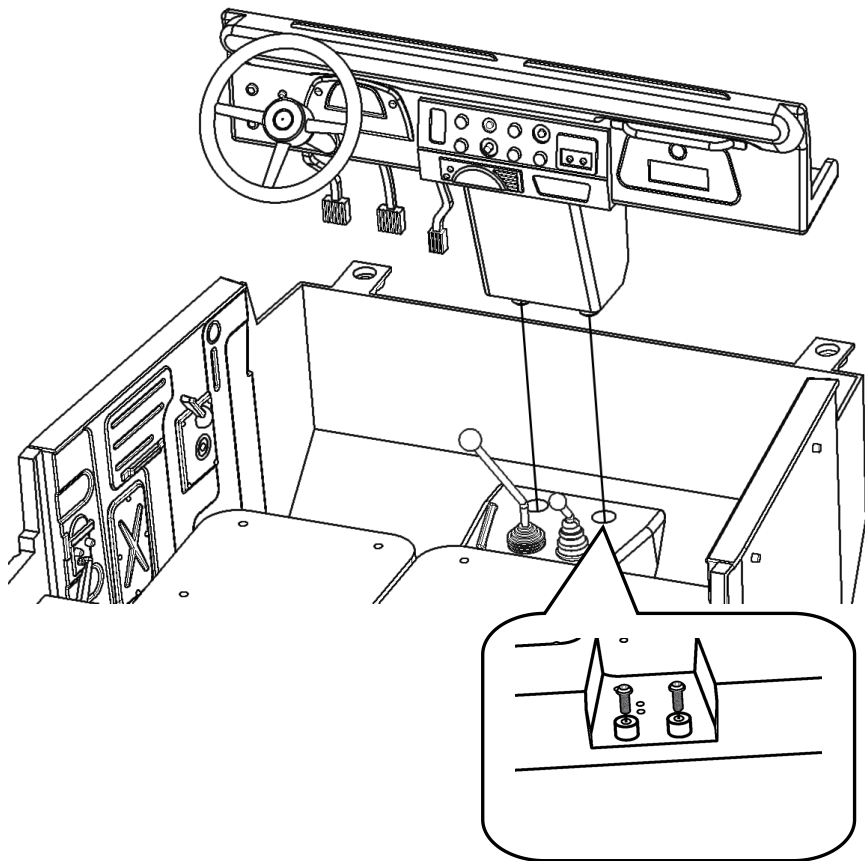


Z-S0653



M3X10

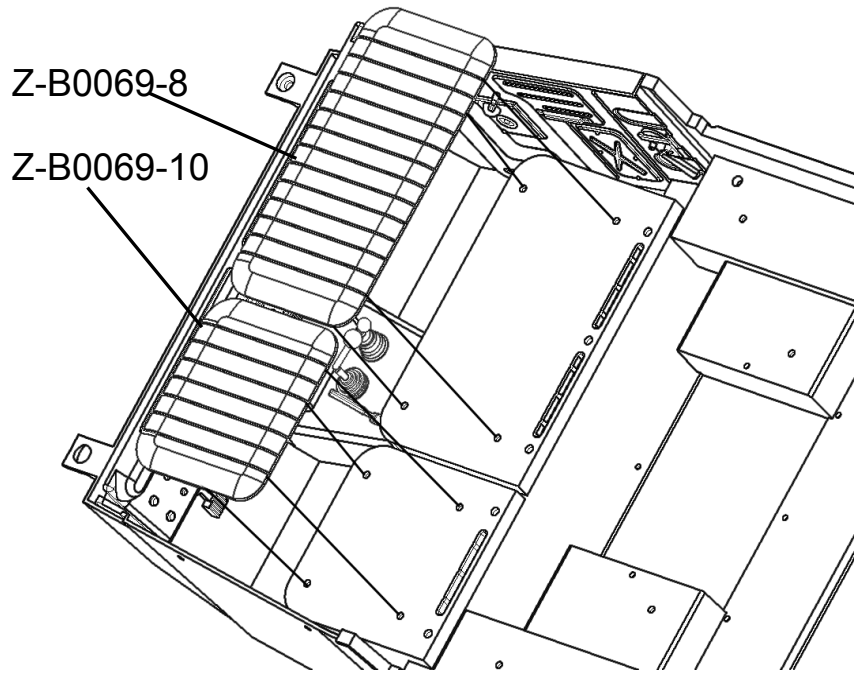
Assembly 85



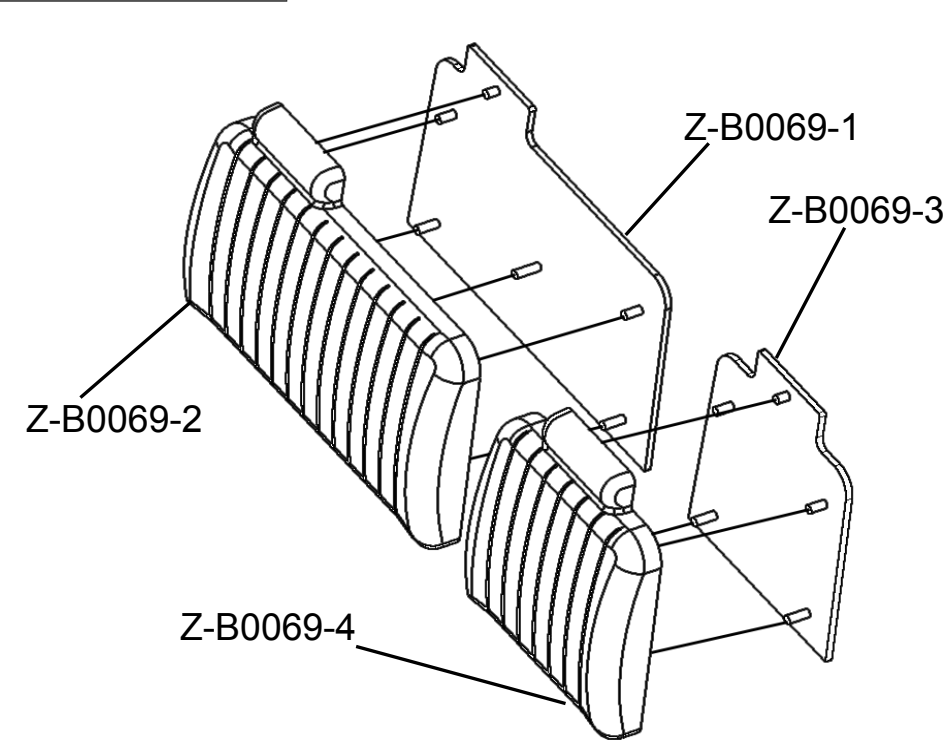


Plastic
cement/glue

Assembly 86



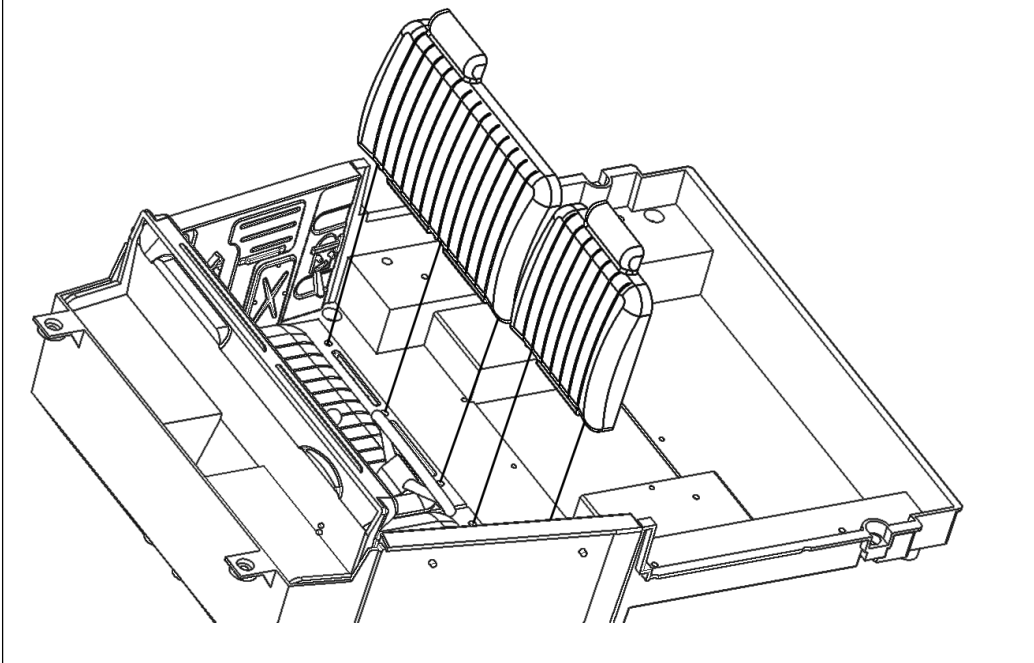
Assembly 87





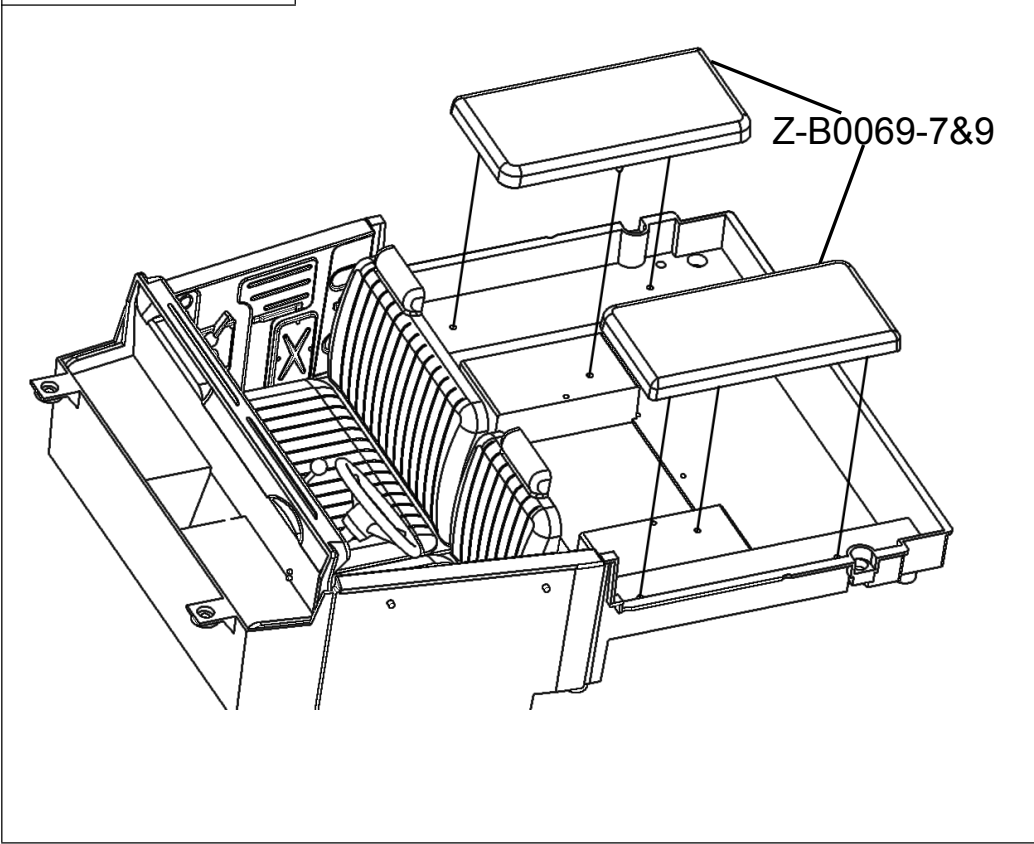
Plastic
cement/glue

Assembly 88



Plastic
cement/glue

Assembly 89

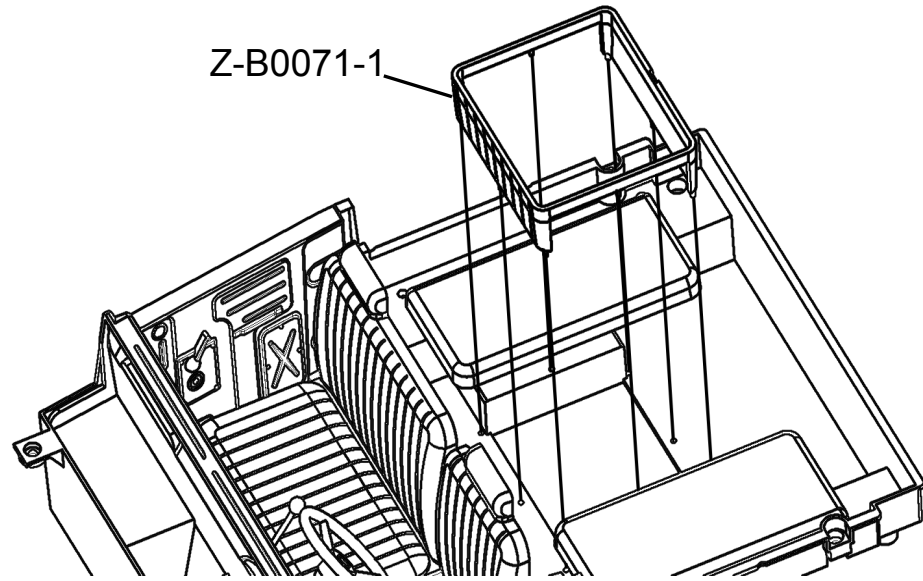




Assembly 90



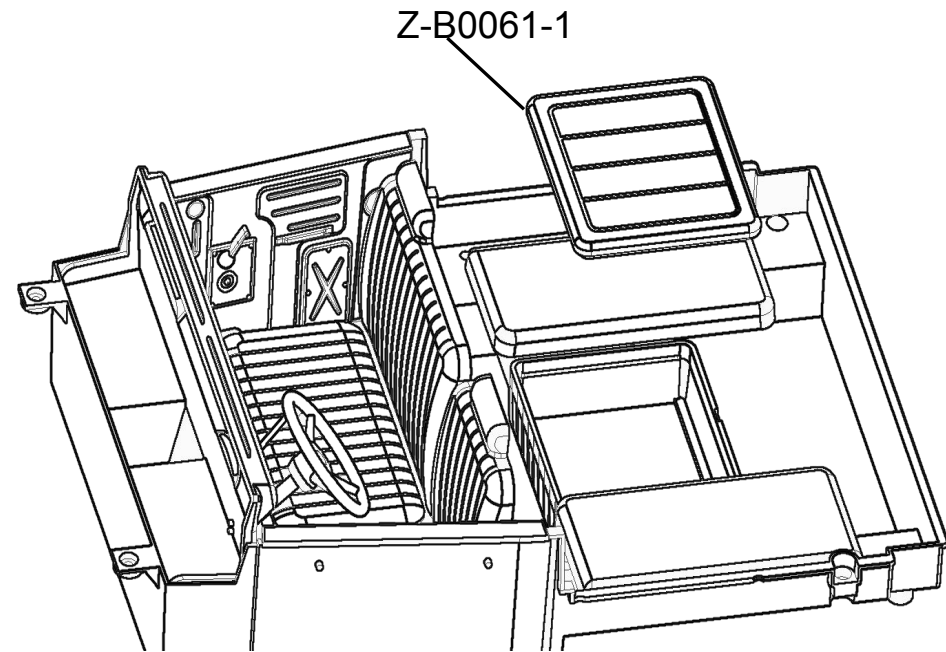
Plastic
cement/glue



Assembly 91

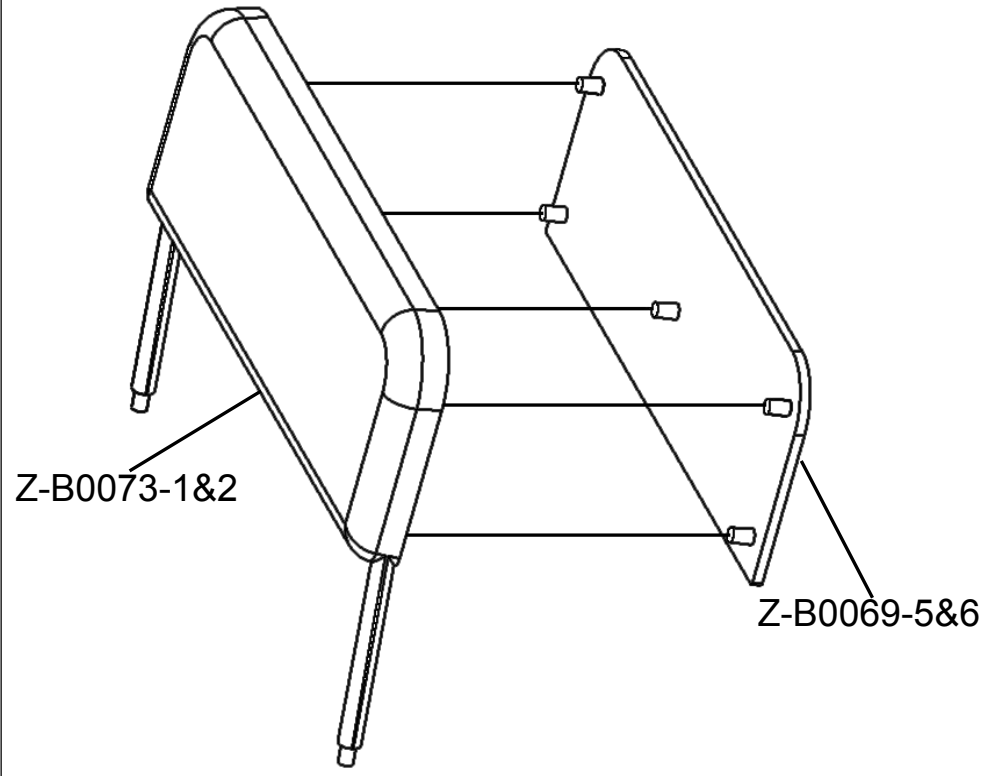


Plastic
cement/glue



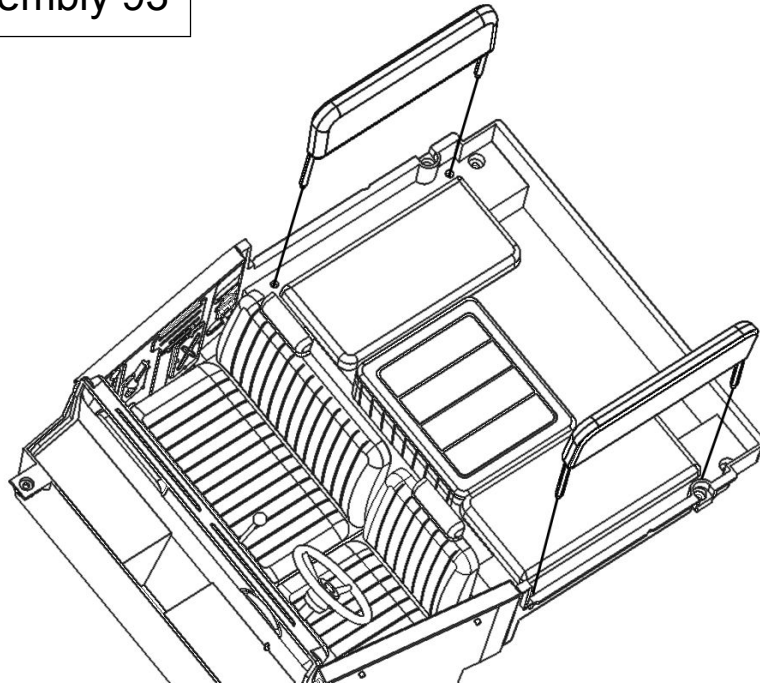


Assembly 92



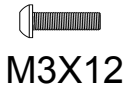
Plastic
cement/glue

Assembly 93



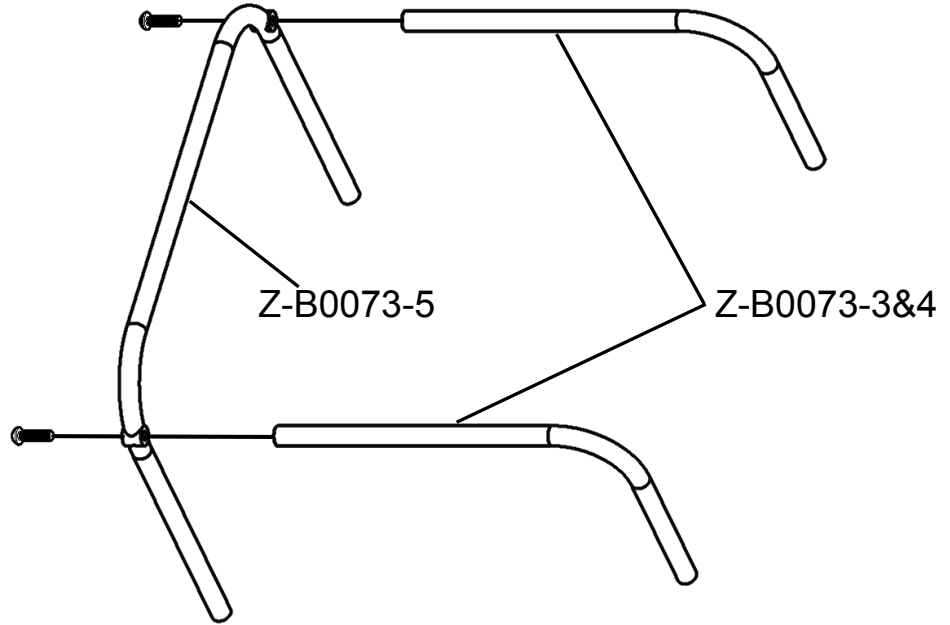


Z-S0654



M3X12

Assembly 94

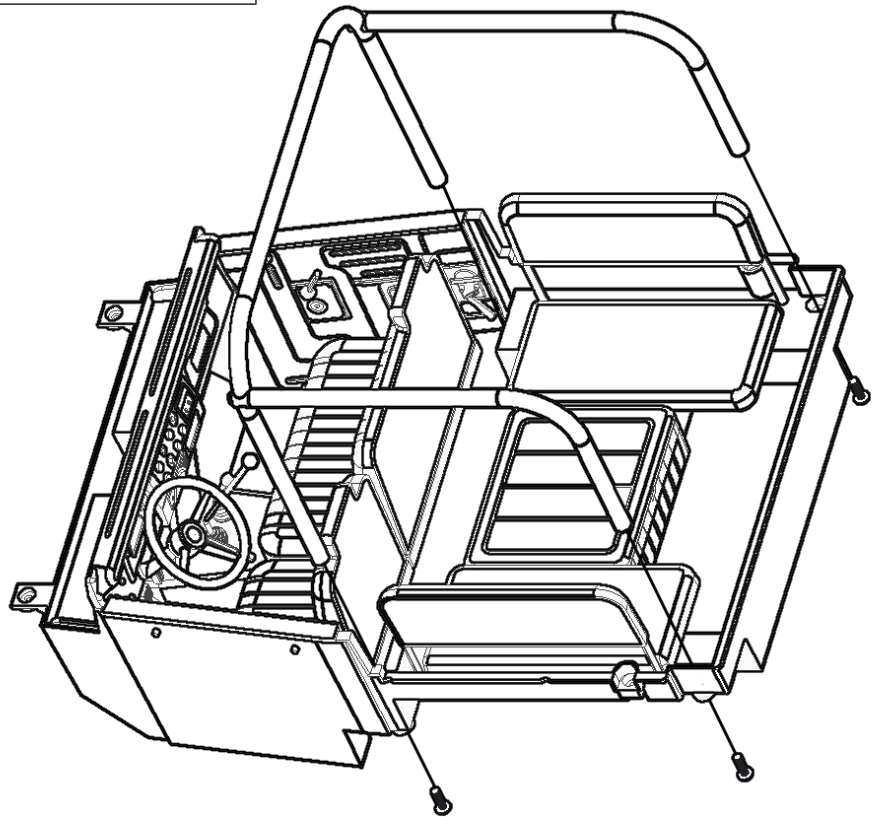


Z-S0653

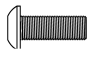


M3X10

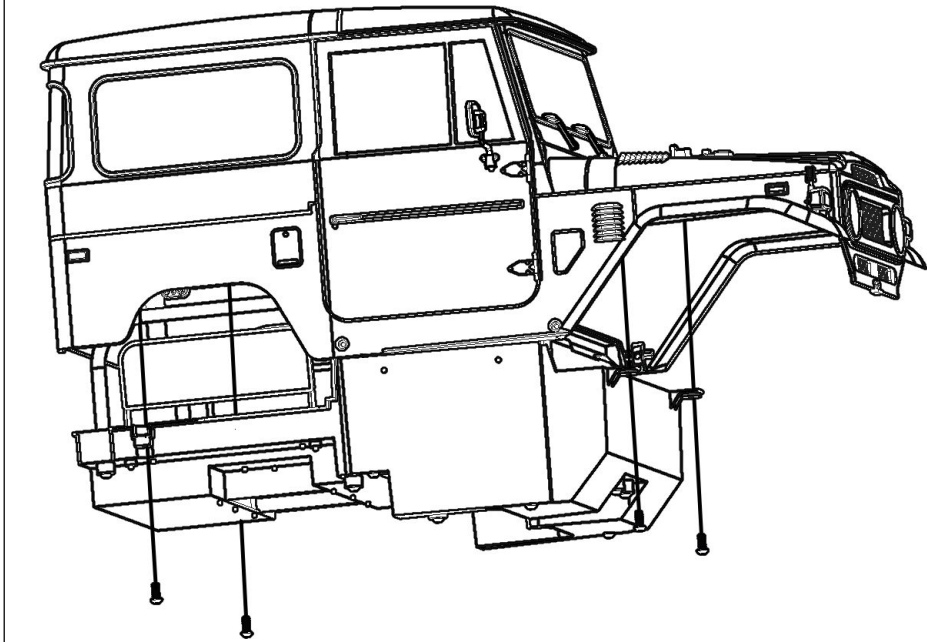
Assembly 95






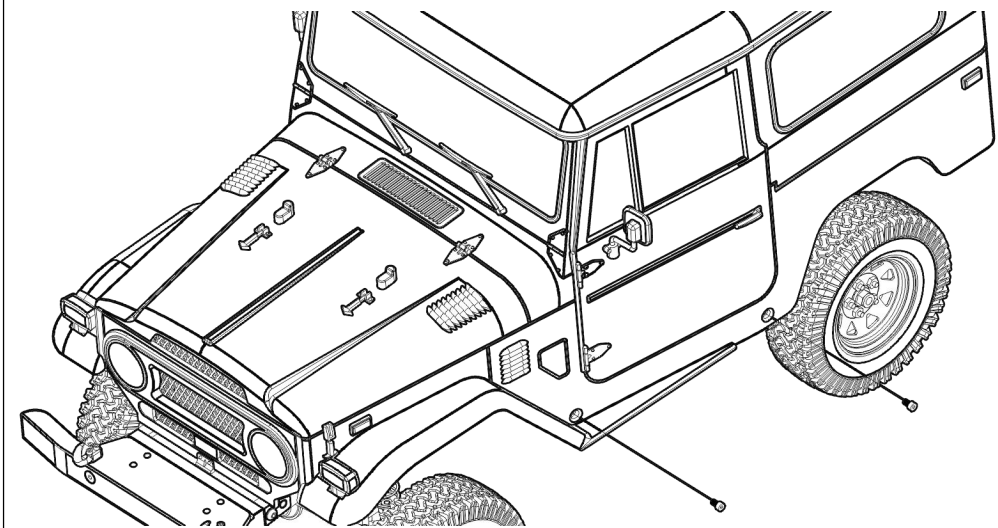
Z-S0652 
M3X8

Assembly 96



Z-S0593 
M2.5X6

Assembly 97





Spare Parts

- Z-A0080 Yota2 Front Axle
- Z-A0081 Yota2 Rear Axle
- Z-S0792 G2 Battery Deck
- Z-S0793 G2 Electronics Deck
- Z-S0794 G2 Front 3 Link + Panhard Mount
- Z-S0795 G2 Rear 4 Link Mount
- Z-C0040 G2 Chassis Set
- Z-U0027 G2 Tcase Mount
- Z-S0798 G2 Front Shock Hoops
- Z-S0799 G2 Rear Shock Hoops
- Z-S0802 R3 Single Speed Mounts
- Z-U0028 R3 Single Speed Transmission
- Z-S0803 G2 Metal Drive Coupling
- Z-S0804 M3 Drive Shaft Pin
- Z-S0809 1mm Spacer (Black)
- Z-S0806 3mm Spacer (Black)
- Z-S0821 5mm Spacer (Black)
- Z-D0039 80mm Dual Rate Shocks V2 (Black)
- Z-S0807 G2 59mm Link
- Z-S0817 G2 65.3mm Link
- Z-S0805 G2 73mm Link
- Z-S0819 G2 70mm Link
- Z-S0810 G2 Drag Link
- Z-W0129 5 Lug Wagon 1.9 Steel Stamped Beadlock Wheels (Black)
- Z-T0005 Dirt Grabber 1.9" All Terrain Tires
- Z-S0592 Trail Finder 2 Fuel Cell Radio Box
- Z-S0583 Scale Nylon Short Punisher Shaft (89mm-120mm)
- Z-S0443 Aluminum Driveshaft Locking Ring for Scale Nylon Punisher Shafts
- Z-S0399 M3 Medium Straight Plastic Rod End
- Z-S0402 M3 Short Bent Plastic Rod End
- Z-S0398 M3 Mini Plastic Rod End
- Z-S0401 M3 Offset Short Plastic Rod End
- Z-U0024 Hammer Transfer Case

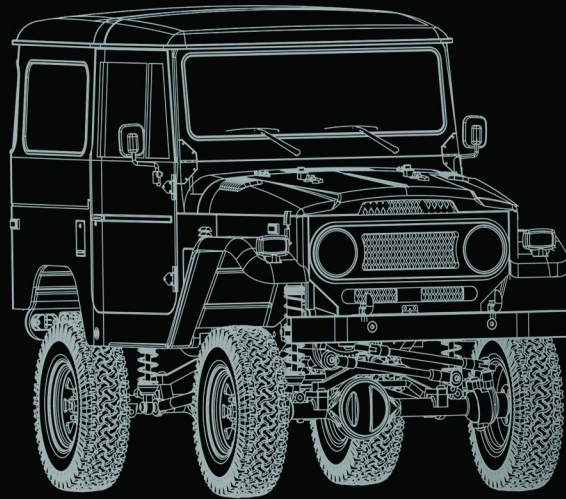


Recommended Equipment

- Z-E0032 Twister High Performance Waterproof Servo
- Z-E0007 Electronic Speed Controller(ESC)
- Z-E0004 540 Crawler Brushed Motor
- Z-S0820 G2 24T Servo Horn
- Z-S0822 G2 25T Servo Horn
- Z-R0006 XR4 4-Channel 2.4Ghz Transmitter/Receiver Radio
- Z-E0552 Heavy Duty Nylon for Strap Lick

Optional Parts

- Z-S0734 1.9" 5 Lug Steel Wheel Hex Hub
- Z-S0532 1.9 5 Lug Steel Wheel Hex Hub with Brake Rotor
- Z-W0008 Land Rover Disco Freestyle 1.9" Wheels
- Z-W0037 Land Rover Disco Freestyle 1.9" Wheels (Gun Metal)
- Z-S0175 Scale Rear Hubs
- Z-S0196 Scale Aisin/Yota Style Hubs
- Z-S0823 Yota2 XVD
- Z-S0824 G2 Steering Guard
- Z-S0826 G2 Punisher Shaft
- Z-D0035 King Off-Road Scale Dual Spring Shocks (80mm)
- Z-S0597 Shock Hoops for Trail Finder 2 Chassis
- Z-U0029 Triton Transfer Case (1:1 ratio)
- Z-S0552 Heavy Duty Nylon for Strap Lock
- VVV-S0006 Ultra Scale Hardened Steel Driveshaft (1.81"/2.16"-46mm/55mm)



Mailing Address:

RC4WD 2016 Senter Road,

San Jose, CA 95112, USA

Web: rc4wd.com Email: support@rc4wd.com

